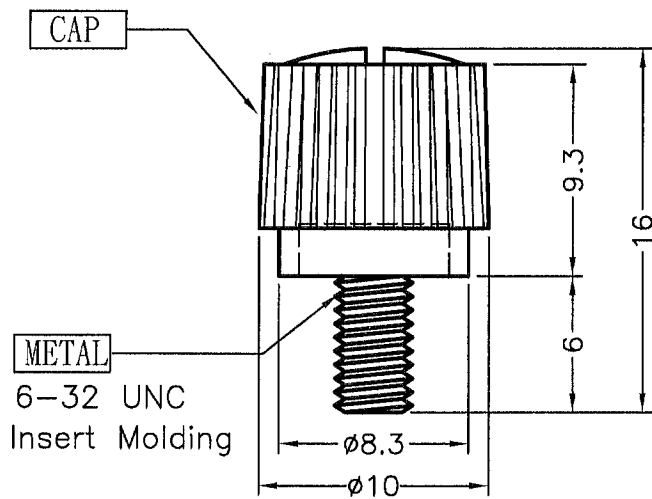
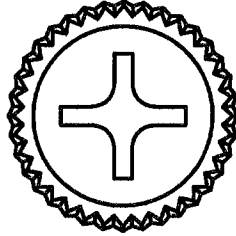


| DIM. | TOL |
|----------|------|
| 5mm DOWN | ±0.2 |
| 5~20mm | ±0.3 |
| 20~40mm | ±0.4 |
| 40~60mm | ±0.5 |
| 60~100mm | ±0.8 |
| 100mm UP | ±1.0 |


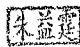
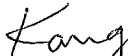
| REVISIONS | | | |
|-----------|-------------|------|----|
| REV | DESCRIPTION | DATE | BY |
| | | | |
| | | | |



| PART NO. | COLOR |
|-------------|----------|
| GPE632-6(B) | BLACK |
| GPE632-6(C) | COMPUTER |

NOTE: All measurement does not include gate which raises under 0.3mm.

| 符合歐盟ROHS規範 (RoHS Compliant) | |
|-----------------------------|----------|
| ★鉛Pb | <1000PPM |
| ★鎘Cd | < 100PPM |
| ★汞Hg | <1000PPM |
| ★六價鉻Cr6+ | <1000PPM |
| ★多溴聯苯類PBBs | <1000PPM |
| ★多溴聯苯醚類PBDEs | <1000PPM |

| | | | | | | |
|---|-------|----------------|-------------|------------------|---|-----------|
|  康揚企業股份有限公司 KANG YANG HARDWARE ENTERPRISE CO., LTD. 康揚塑膠(東莞)有限公司 KANG YANG PLASTIC(DONG GUAN) CO., LTD. <small>ISO 9001 ISO 14001 QC 080000</small> 康哲電腦配件(吳江)有限公司 KANG CHE COMPUTER COMPONENTS(WUJIANG) CO., LTD. | | | | TITLE | SCREW | SPEC. DWG |
| | | | | CAP MAT'L | PP | DATE |
| PART NUMBER | | DRAWING NUMBER | METAL MAT'L | METAL FINISH | DRAWN | |
| SEE ABOVE | | GPE632-6 | STEEL | BLUE ZINC PLATED | Linda | |
| SIZE | SCALE | UNIT | REV | CAP COLOR | CHECK | |
| A4 | 3:1 | mm | C | SEE ABOVE |  | |
| UNLESS OTHERWISE SPECIFIED TOLERANCE | | | | SEE ABOVE | APPROVED | |
| | | | | |  | |