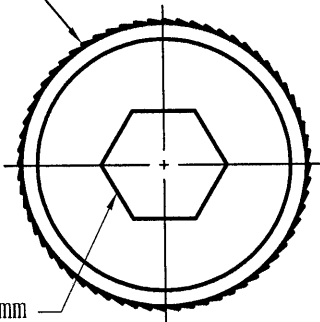
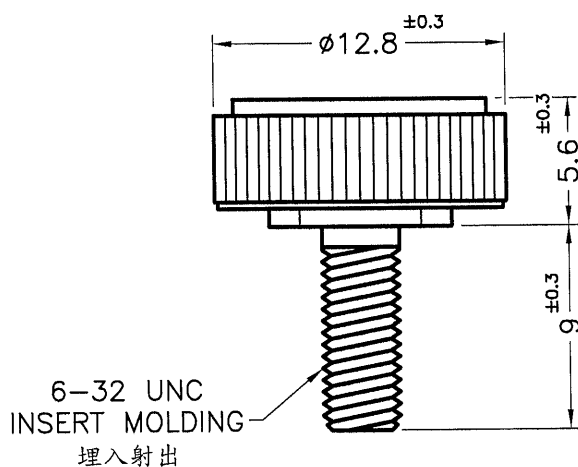


Non-slip embossed



Hexagon Depth 2.1 mm



PART NO.	COLOR
GPE632-9(B)	BLACK
GPE632-9(W)	WHITE

NOTE: 1. MADE OF EQUIVALENT MATERIAL.

均可使用同等材質。

2. THE COLOR BATCH TEST REPORT IS ONLY FOR TEST PURPOSE.

色母環保檢測報告, 僅提供原始測試報告。



康揚企業股份有限公司
KANG YANG HARDWARE ENTERPRISE CO., LTD.
康揚塑膠(東莞)有限公司
KANG YANG PLASTIC(DONG GUAN)CO., LTD.
康哲電腦配件(吳江)有限公司
KANG CHE COMPUTER COMPONENTS(WUJIANG)CO., LTD.

符合歐盟ROHS規範 (RoHS Compliant)

★鉛Pb	<1000PPM
★鎘Cd	< 100PPM
★汞Hg	<1000PPM
★六價鉻Cr6+	<1000PPM
★多溴聯苯類PBBs	<1000PPM
★多溴聯苯醚類PBDEs	<1000PPM

PROPRIETARY AND CONFIDENTIAL THE INFORMATION CONTAINED IN THIS DRAWING IS THE SOLE PROPERTY OF KANG YANG HARDWARE ENTERPRISE CO. ANY REPRODUCTION IN PART OR AS A WHOLE WITHOUT THE WRITTEN PERMISSION OF KANG YANG HARDWARE ENTERPRISE CO. IS PROHIBITED. DO NOT SCALE DRAWING	DATE	TITLE		DWG. NO.	PART NO.	
	2004.01.12	SCREW		GPE632-9	SEE ABOVE	
	DRAWN S.J.C	MATERIAL ABS UL94HB	SCREW MATERIAL STEEL	SIZE A4	SPEC. DWG.	REV E
	CHECKED 彭永承	COLOR SEE ABOVE	FINISH NI PLATED	SCALE: 2:1	UNIT mm	SHEET 1 OF 1
APPROVED Kang	UNLESS OTHERWISE SPECIFIED TOLERANCE: SEE ABOVE					