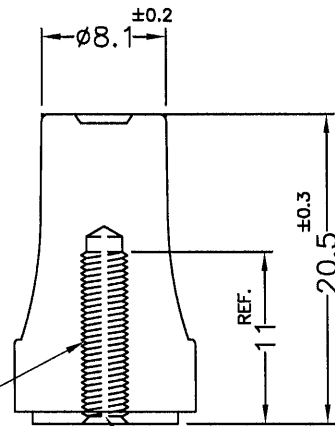
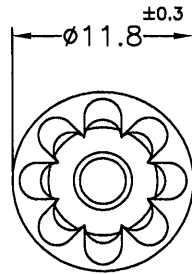


REVISIONS			
REV	DESCRIPTION	DATE	BY



6-32 UNC TAPPED

INSERT MOLDING

埋入射出

EFFECTIVE FASTEN LENGTH : 11mm

有效牙深: 11mm


STEEL NUT

PART NO.	SCREW FINISH
GPM632-20B	NICKEL PLATED
GPM632-20BZN	ZINC PLATED

符合歐盟ROHS規範 (RoHS Compliant)	
★鉛Pb	<1000PPM
★鎘Cd	< 100PPM
★汞Hg	<1000PPM
★六價鉻Cr6+	<1000PPM
★多溴聯苯類PBBs	<1000PPM
★多溴聯苯醚類PBDEs	<1000PPM

NOTE: MADE OF EQUIVALENT MATERIAL.

均可使用同等材質。

 康揚企業股份有限公司 KANG YANG HARDWARE ENTERPRISE CO., LTD. 康揚塑膠(東莞)有限公司 KANG YANG PLASTIC(DONG GUAN) CO., LTD. 康哲電腦配件(吳江)有限公司 KANG CHE COMPUTER COMPONENTS(WUJIANG) CO., LTD.				TITLE HAND SPIN NUT		SPEC. DWG.	
				MATERIAL PC+ABS UL94V-2		DATE 2012.02.07	
				SCREW MATERIAL STEEL	SCREW FINISH SEE ABOVE	DRAWN SAI	
PART NUMBER SEE ABOVE		DRAWING NUMBER GPM632-20B		COLOR BLACK		CHECK 薛梅	
SIZE A4	SCALE 2:1	UNIT mm	REV B	UNLESS OTHERWISE SPECIFIED TOLERANCE SEE ABOVE		APPROVED Kang	