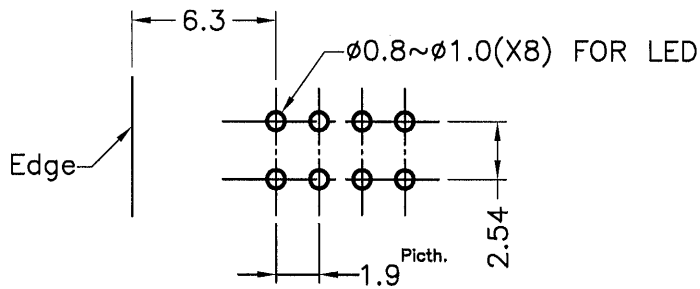
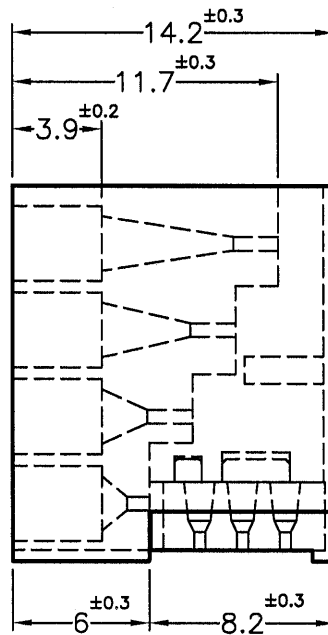
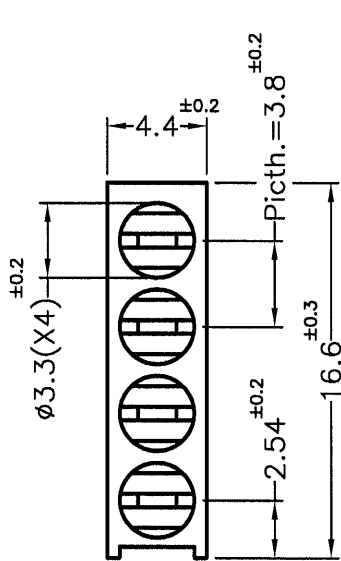


REVISIONS			
REV	DESCRIPTION	DATE	BY



MOUNTING HOLES

PART NO.	MATERIAL
KLH-342	NYLON 66 UL94V-2
KLH-342V0(B)	NYLON 66 UL94V-0

NOTE:MADE OF EQUIVALENT MATERIAL.  
均可使用同等材質.



康揚企業股份有限公司  
KANG YANG HARDWARE ENTERPRISE CO., LTD.  
康揚塑膠(東莞)有限公司  
KANG YANG PLASTIC(DONG GUAN) CO., LTD.  
康哲電腦配件(吳江)有限公司  
KANG CHE COMPUTER COMPONENTS(WUJIANG) CO., LTD.

TITLE	LED HOLDER	SPEC. DWG.
MATERIAL	SEE ABOVE	DATE 2000.12.27
FINISH		DRAWN JASON
COLOR	BLACK	CHECK 
UNLESS OTHERWISE SPECIFIED TOLERANCE	SEE ABOVE	APPROVED 

PART NUMBER SEE ABOVE		DRAWING NUMBER KLH-342H	
SIZE A4	SCALE 3:1	UNIT mm	REV B