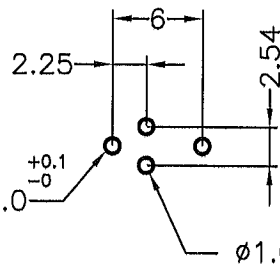
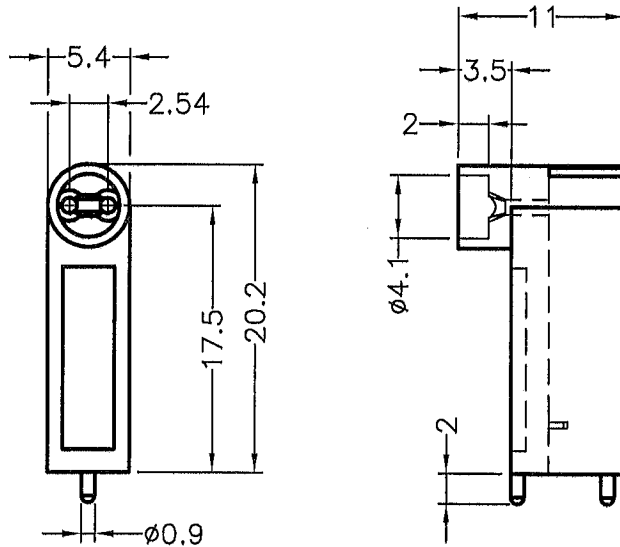


DIM.	TOL.
L ≤ 10	±0.2
10 < L ≤ 30	±0.3
30 < L ≤ 50	±0.5
50 < L ≤ 100	±0.7
100 < L ≤ 250	±1.2
ABOVE 250	±1.5


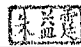
REVISIONS			
REV	DESCRIPTION	DATE	BY



FOR LED HOLDER $\phi 1.0$ $\phi 1.0$ FOR LED

PART NO.	COLOR
LEAK-17.5	NATURAL
LEAK-17.5(B)	BLACK

NOTE:MADE OF EQUIVALENT MATERIAL.
均可使用同等材質。

 <p>康揚企業股份有限公司 KANG YANG HARDWARE ENTERPRISE CO., LTD. 康揚塑膠(東莞)有限公司 KANG YANG PLASTIC(DONG GUAN) CO., LTD. 康哲電腦配件(吳江)有限公司 KANG CHE COMPUTER COMPONENTS(WUJIANG) CO., LTD.</p>				TITLE LED HOLDER		SPEC. DWG.	
				MATERIAL NYLON 66 UL94V-2		DATE 2010.06.08	
				FINISH		DRAWN SAI	
PART NUMBER SEE ABOVE		DRAWING NUMBER LEAK-17.5		COLOR SEE ABOVE		CHECK 	
SIZE A4	SCALE 2:1	UNIT mm	REV B	UNLESS OTHERWISE SPECIFIED TOLERANCE SEE ABOVE		APPROVED 