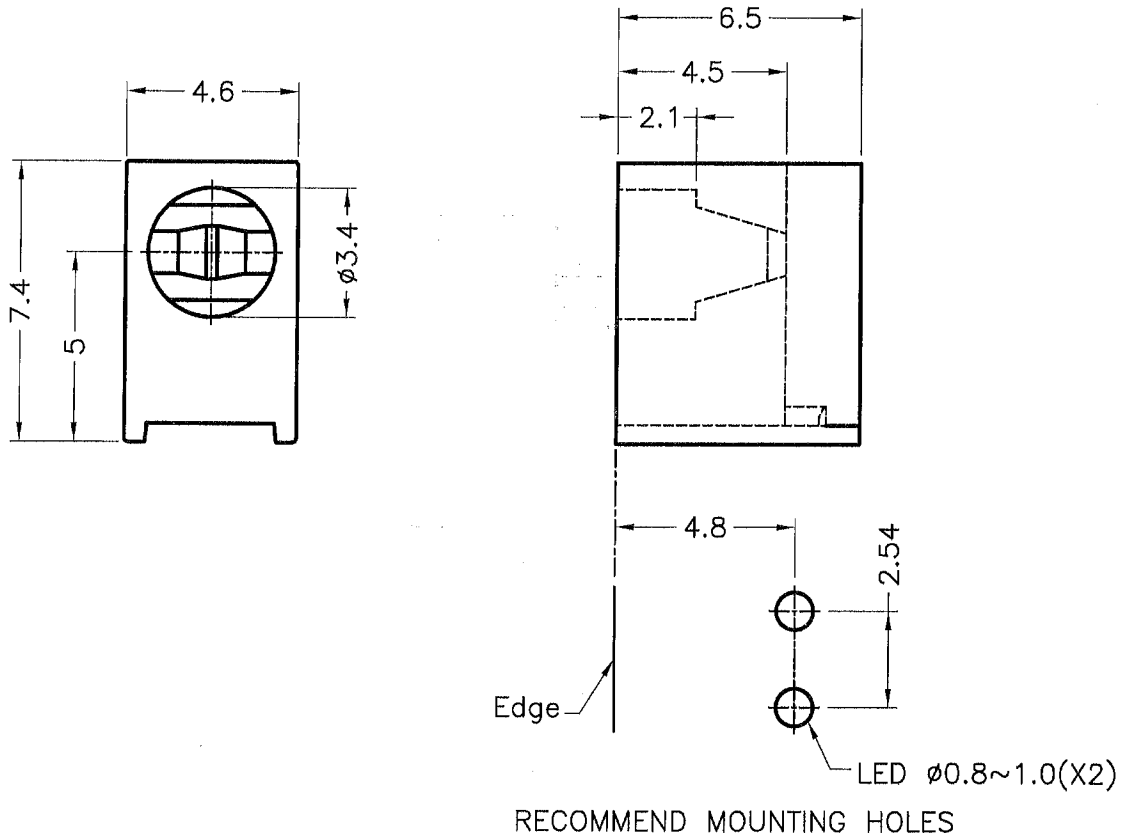





| DIM.          | TOL  |
|---------------|------|
| L ≤ 10        | ±0.2 |
| 10 < L ≤ 30   | ±0.3 |
| 30 < L ≤ 50   | ±0.5 |
| 50 < L ≤ 100  | ±0.7 |
| 100 < L ≤ 250 | ±1.2 |
| ABOVE 250     | ±1.5 |

| REVISIONS |             |      |    |
|-----------|-------------|------|----|
| REV       | DESCRIPTION | DATE | BY |
|           |             |      |    |
|           |             |      |    |



| PART NO.  | MATERIAL         |
|-----------|------------------|
| LED-301   | NYLON 66 UL94V-2 |
| LED-301V0 | NYLON 66 UL94V-0 |

|   |          |                |            |  |  |
|---|----------|----------------|------------|--|--|
|  <p>康揚企業股份有限公司<br/>KANG YANG HARDWARE ENTERPRISE CO., LTD.<br/>康揚塑膠(東莞)有限公司<br/>KANG YANG PLASTIC(DONG GUAN) CO., LTD.<br/>康哲電腦配件(吳江)有限公司<br/>KANG CHE COMPUTER COMPONENTS(WUJIANG) CO., LTD.</p> | TITLE    |                | LED HOLDER | SPEC. DWG.   |  |
|   | MATERIAL |                | SEE ABOVE  | DATE   |  |
|   | FINISH   |                |            | DRAWN  |  |
|   | COLOR    |                | BLACK      | CHECK  |  |
| PART NUMBER   |          | DRAWING NUMBER |            | APPROVED   |  |
| SEE ABOVE   |          | LED-301H       |            | <br> |  |
| SIZE  | SCALE    | UNIT           | REV        | UNLESS OTHERWISE SPECIFIED TOLERANCE   |  |
| A4  | 5:1      | mm             | B          | SEE ABOVE  |  |