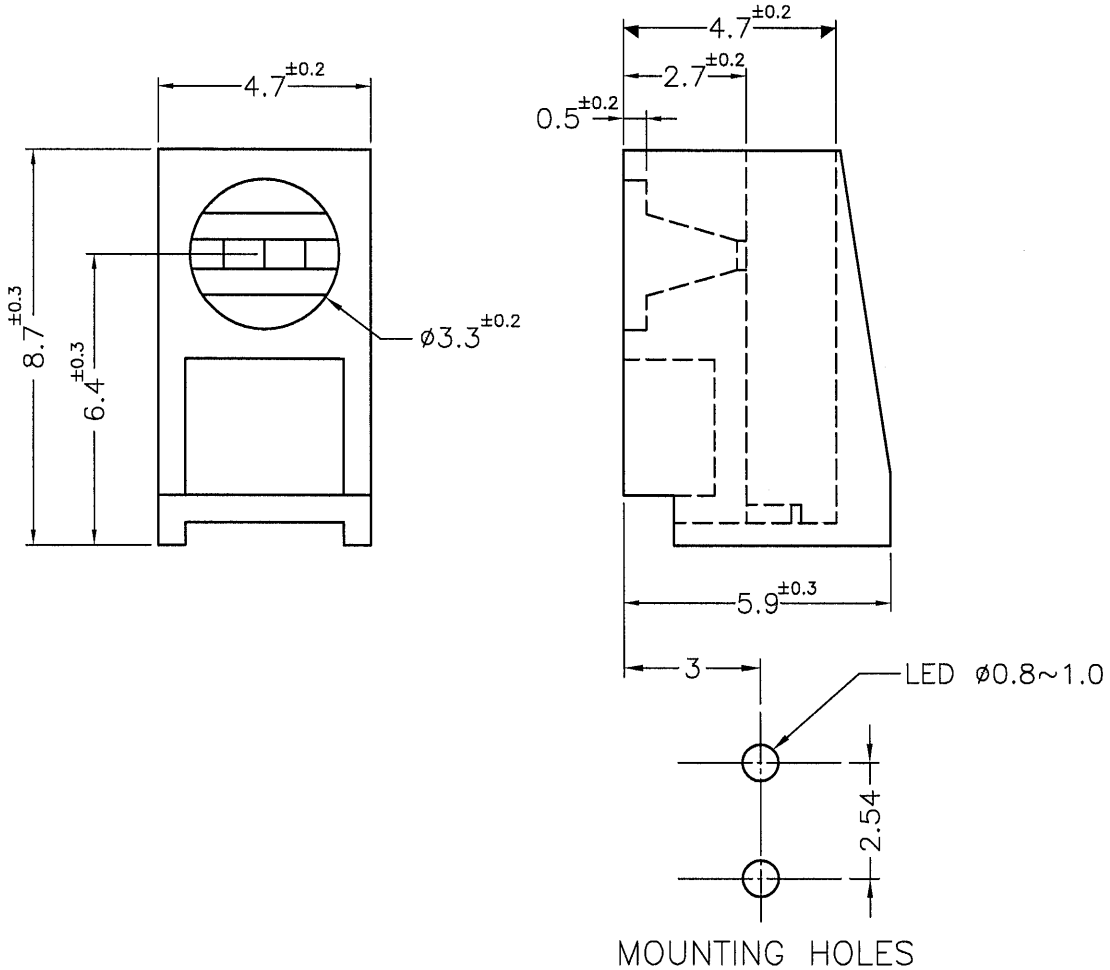

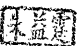



| REVISIONS | | | |
|-----------|-------------|------|----|
| REV | DESCRIPTION | DATE | BY |
| | | | |
| | | | |



| PART NO. | MATERIAL |
|---------------|---------------------|
| LED-312 | NYLON 66 UL94V-2 |
| LED-312N6T(B) | NYLON 6T UL94V-0+GF |

NOTE:MADE OF EQUIVALENT MATERIAL.
可使用同等材質

| | | | | | |
|--|-----------|----------------|--------------------|--------------------------------------|---|
|  <p>康揚企業股份有限公司 KANG YANG HARDWARE ENTERPRISE CO., LTD. 康揚塑膠(東莞)有限公司 KANG YANG PLASTIC(DONG GUAN) CO., LTD. 康哲電腦配件(吳江)有限公司 KANG CHE COMPUTER COMPONENTS(WUJIANG) CO., LTD.</p> | | TITLE | LED SPACER SUPPORT | SPEC. DWG. | |
| | | MATERIAL | SEE ABOVE | DATE | 2000.03.21 |
| | | FINISH | | DRAWN | JASON |
| | | COLOR | BLACK | CHECK |  |
| PART NUMBER | SEE ABOVE | DRAWING NUMBER | LED-312H | UNLESS OTHERWISE SPECIFIED TOLERANCE | SEE ABOVE |
| SIZE | A4 | SCALE | 6:1 | UNIT | mm |
| | | REV | B | APPROVED |  |