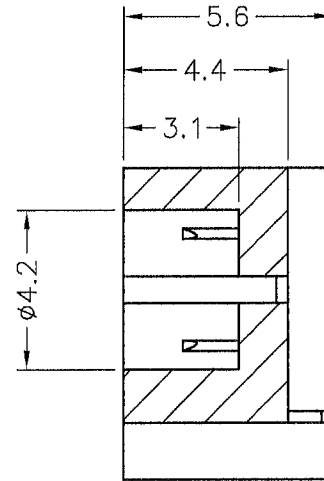
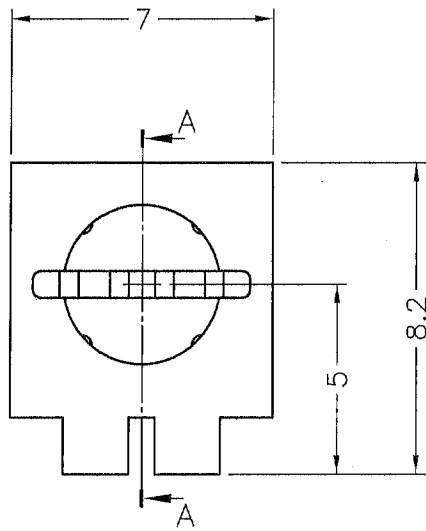
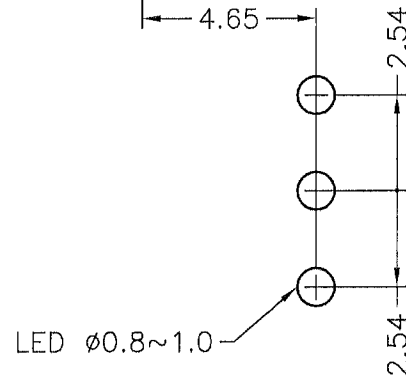
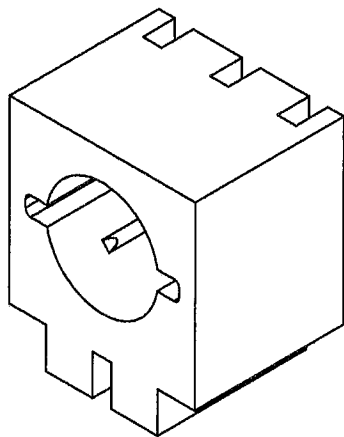


DIM.	TOL
L≤10	±0.2
10<L≤30	±0.3
30<L≤50	±0.5
50<L≤100	±0.7
100<L≤250	±1.2
ABOVE 250	±1.5


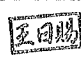
REVISIONS			
REV	DESCRIPTION	DATE	BY



SECTION A-A



MOUNTING HOLES

 <p>康揚企業股份有限公司 KANG YANG HARDWARE ENTERPRISE CO., LTD. 康揚塑膠(東莞)有限公司 KANG YANG PLASTIC(DONG GUAN) CO., LTD. 康哲電腦配件(吳江)有限公司 KANG CHE COMPUTER COMPONENTS(WUJIANG) CO., LTD.</p>		TITLE	LED HOLDER	SPEC. DWG.	
		MATERIAL	NYLON 66 UL94V-2	DATE	2011.07.19
		FINISH		DRAWN	SAI
		COLOR	BLACK	CHECK	
PART NUMBER	LED-319(B)	DRAWING NUMBER	LED-319	UNLESS OTHERWISE SPECIFIED TOLERANCE	SEE ABOVE
SIZE	A4	SCALE	3:1	UNIT	mm
		REV	B	APPROVED	