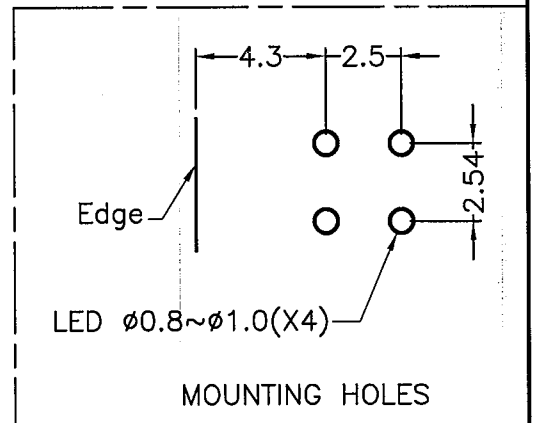


NOTE: 1. SHRINKING IS NORMAL STATUS.
 內縮為正常現象.
 2. MADE OF EQUIVALENT MATERIAL.
 均可使用同等材質.



康揚企業股份有限公司
 KANG YANG HARDWARE ENTERPRISE CO., LTD.
 康揚塑膠(東莞)有限公司
 KANG YANG PLASTIC(DONG GUAN)CO., LTD.
 康哲電腦配件(吳江)有限公司
 KANG CHE COMPUTER COMPONENTS(WUJIANG)CO., LTD.

PROPRIETARY AND CONFIDENTIAL
 THE INFORMATION CONTAINED IN
 THIS DRAWING IS THE SOLE PROPERTY
 OF KANG YANG HARDWARE
 ENTERPRISE CO. ANY
 REPRODUCTION IN PART OR AS A
 WHOLE WITHOUT THE WRITTEN
 PERMISSION OF
 KANG YANG HARDWARE ENTERPRISE
 CO. IS PROHIBITED.

DATE 2002.11.18	TITLE LED HOLDER	
DRAWN JASON	MATERIAL NYLON 66 UL94V-2	
CHECKED <i>[Signature]</i>	COLOR BLACK	FINISH
APPROVED <i>Kang</i>	UNLESS OTHERWISE SPECIFIED TOLERANCE: SEE ABOVE	

DWG. NO. LED-322		PART NO. LED-322	
SIZE A4	SPEC. DWG		REV B
SCALE: 4:1	UNIT mm	SHEET 1 OF 1	

DO NOT SCALE DRAWING