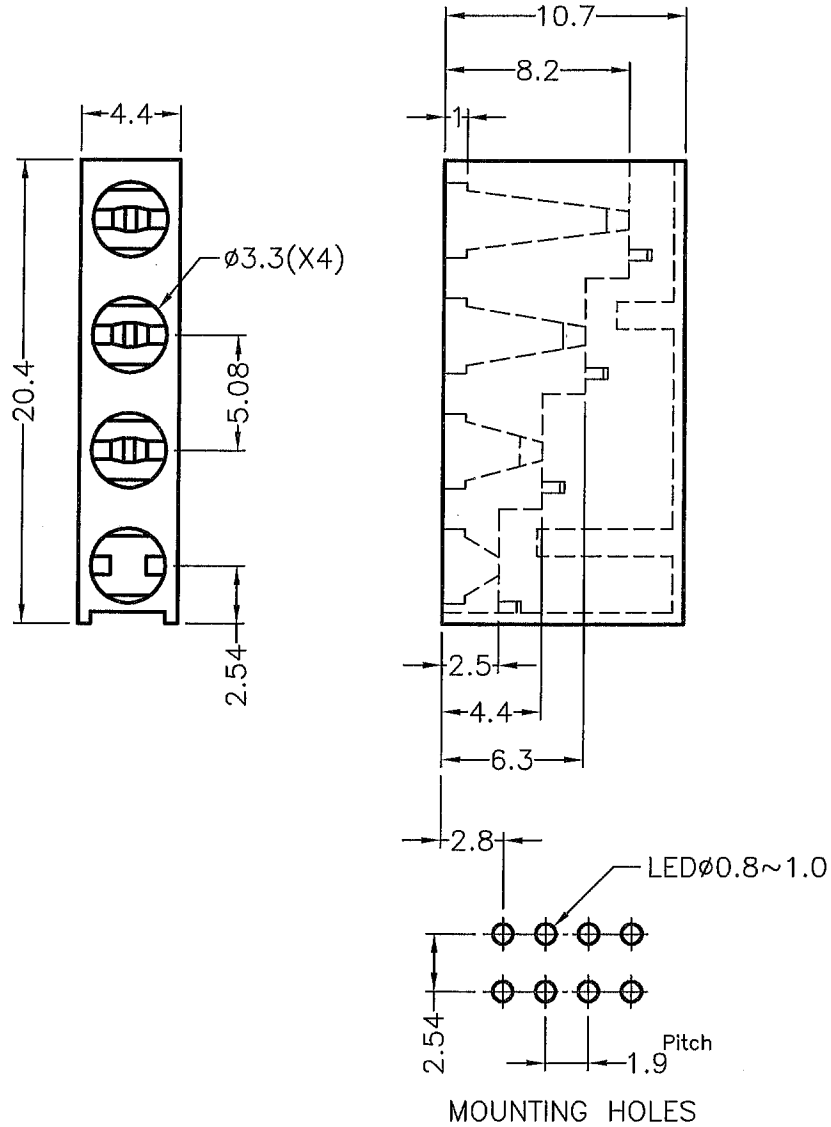
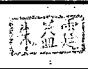



DIM.	TOL
5mm DOWN	±0.2
5~20mm	±0.3
20~40mm	±0.4
40~60mm	±0.5
60~100mm	±0.8
100mm UP	±1.0

REVISIONS			
REV	DESCRIPTION	DATE	BY




康揚企業股份有限公司
 KANG YANG HARDWARE ENTERPRISE CO., LTD.
康揚塑膠(東莞)有限公司
 KANG YANG PLASTIC(DONG GUAN) CO., LTD.
康哲電腦配件(吳江)有限公司
 KANG CHE COMPUTER COMPONENTS(WUJIANG) CO., LTD.

TITLE	LED SPACER SUPPORT	SPEC. DWG.
MATERIAL	NYLON 66 UL94V-2 or EQUIVALENT	DATE 1999.01.07
FINISH		DRAWN 林秀儉
COLOR	BLACK	CHECK 
PART NUMBER	LED-340	DRAWING NUMBER LED-340H
UNLESS OTHERWISE SPECIFIED TOLERANCE	SEE ABOVE	APPROVED 
SIZE	A4	SCALE
UNIT	mm	REV
		B