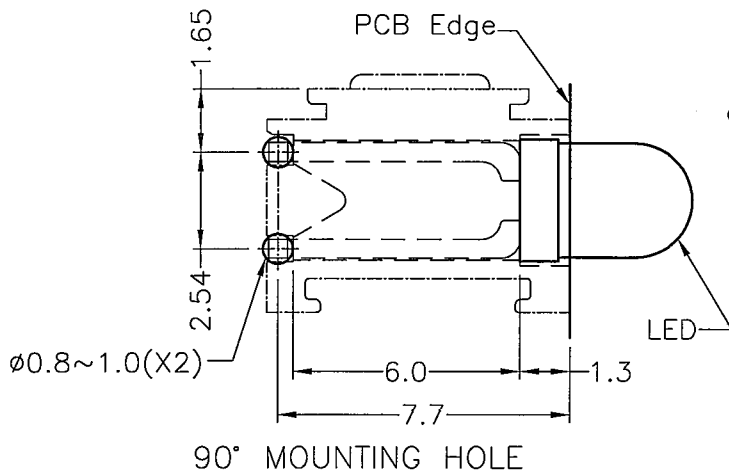
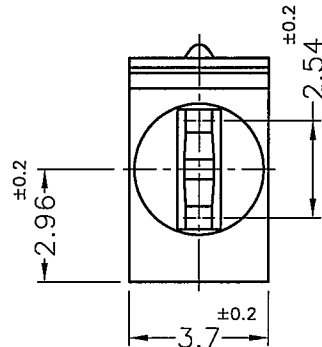
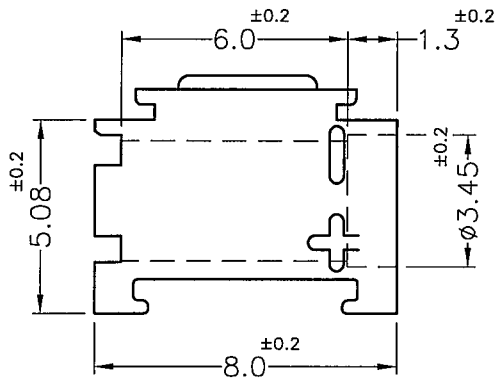
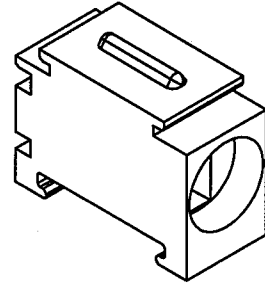
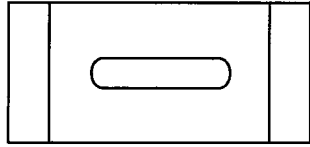
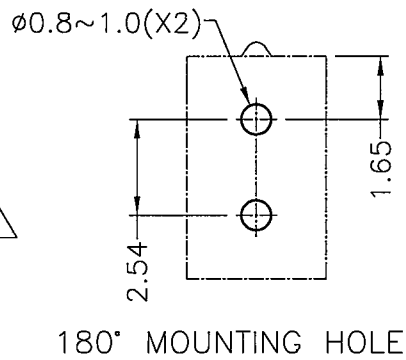


REVISIONS			
REV	DESCRIPTION	DATE	BY



90° MOUNTING HOLE




180° MOUNTING HOLE

NOTE:1. MADE OF EQUIVALENT MATERIAL.

均可使用同等材質。

2. THE COLOR BATCH TEST REPORT IS ONLY FOR FIRST LOT TEST.

色母環保檢測報告, 僅提供原始測試報告。

 <p>康揚企業股份有限公司 KANG YANG HARDWARE ENTERPRISE CO., LTD. 康揚塑膠(東莞)有限公司 KANG YANG PLASTIC(DONG GUAN) CO., LTD. 康哲電腦配件(吳江)有限公司 KANG CHEE COMPUTER COMPONENTS(WUJIANG) CO., LTD.</p>				TITLE	LED HOLDER	SPEC. DWG.	
				MATERIAL	NYLON 66 UL94V-2	DATE	2011.08.17
				FINISH		DRAWN	K.W
				COLOR	BLACK	CHECK	林祺翔
PART NUMBER	LED-344(B)	DRAWING NUMBER	LED-344	UNLESS OTHERWISE SPECIFIED TOLERANCE	SEE ABOVE	APPROVED	Kang
SIZE	A4	SCALE	5:1	UNIT	mm	REV	A