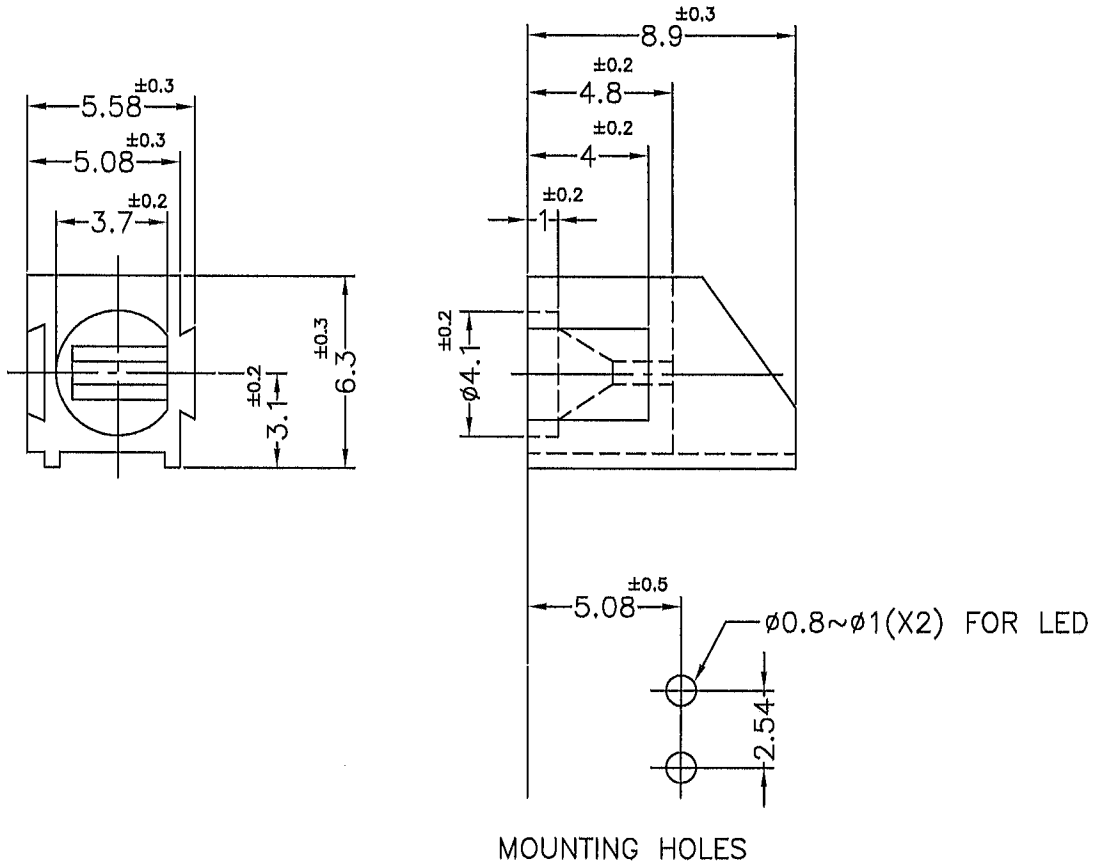





REVISIONS			
REV	DESCRIPTION	DATE	BY



NOTE:MADE OF EQUIVALENT MATERIAL.  
可使用同等材質

 <p>康揚企業股份有限公司 KANG YANG HARDWARE ENTERPRISE CO., LTD. 康揚塑膠(東莞)有限公司 KANG YANG PLASTIC(DONG GUAN) CO., LTD. 康哲電腦配件(吳江)有限公司 KANG CHE COMPUTER COMPONENTS(WUJIANG) CO., LTD.</p>				TITLE	LED HOLDER	SPEC. DWG.	
				MATERIAL	NYLON 66 UL94V-2	DATE	2001.12.03
				FINISH		DRAWN	S.J.C.
				COLOR	BLACK	CHECK	
PART NUMBER	LED-6301	DRAWING NUMBER	LED-6301	UNLESS OTHERWISE SPECIFIED TOLERANCE	SEE ABOVE	APPROVED	
SIZE	A4	SCALE	4:1	UNIT	mm	REV	B