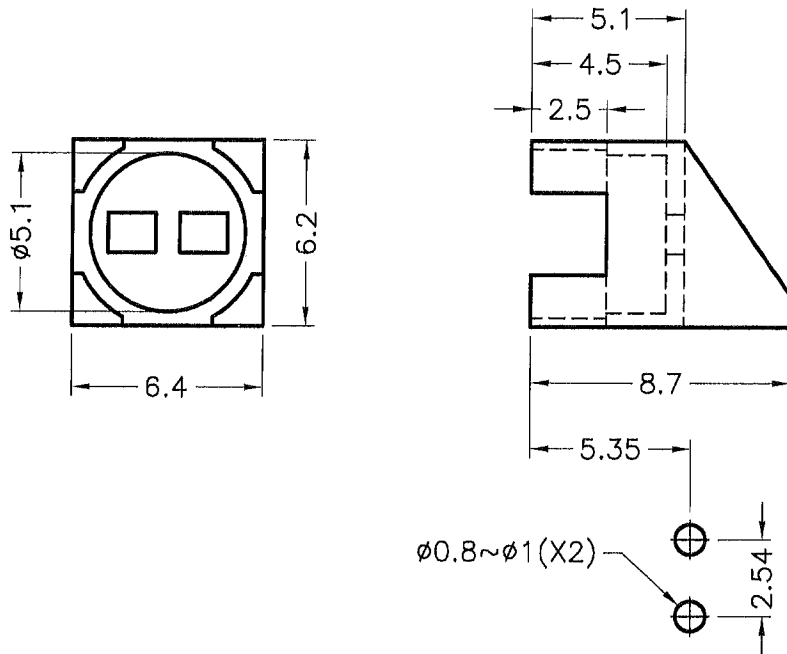


DIM	TOL
5mm DOWN	±0.2
5~20mm	±0.3
20~40mm	±0.4
40~60mm	±0.5
60~100mm	±0.8
100mm UP	±1.0

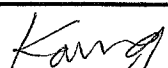
REVISIONS			
REV	DESCRIPTION	DATE	BY



MOUNTING HOLES

NOTE: All measurement does not include gate which raises under 0.3mm.


康揚企業股份有限公司
 KANG YANG HARDWARE ENTERPRISE CO., LTD.
康揚塑膠(東莞)有限公司
 KANG YANG PLASTIC(DONG GUAN) CO., LTD.
康哲電腦配件(吳江)有限公司
 KANG CHE COMPUTER COMPONENTS(WUJIANG) CO., LTD.

TITLE	LED HOLDER	SPEC. DWG.
MATERIAL	NYLON 66 UL94V-2	DATE
FINISH		DRAWN
COLOR	BLACK	CHECK
PART NUMBER	DRAWING NUMBER	APPROVED
LED1L-2.5	LED1L-2.5	
SIZE	SCALE	UNIT
A4	NONE	mm
REV	TOLERANCE	
A	SEE ABOVE	