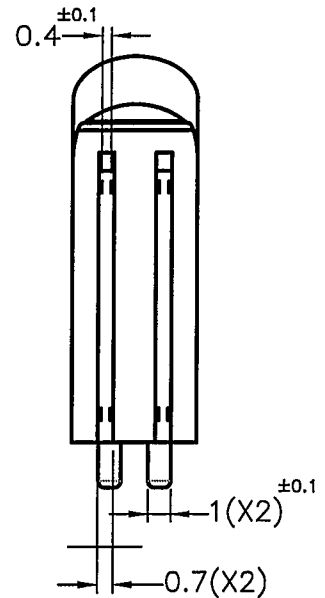
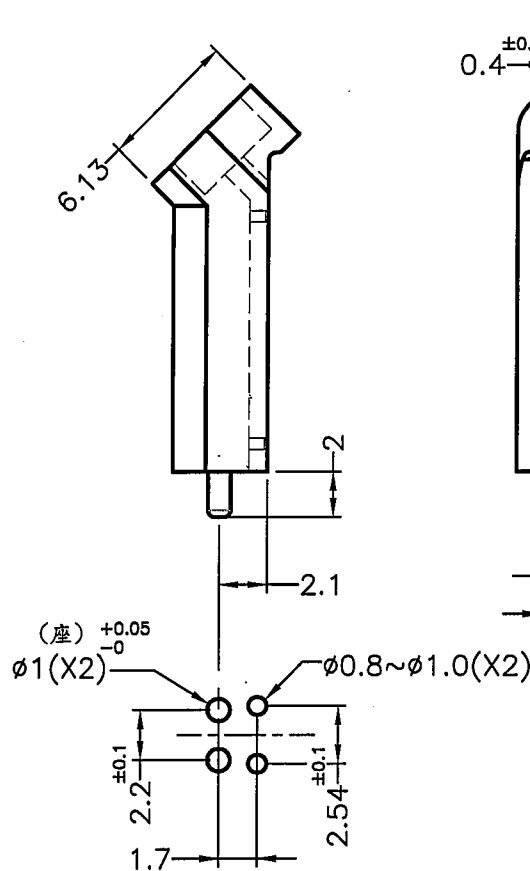
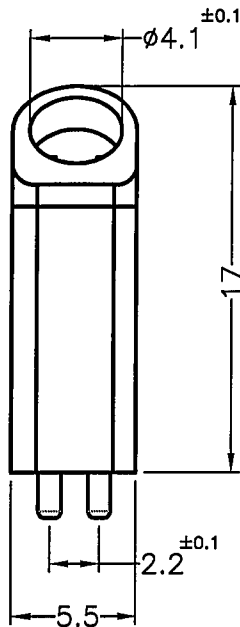
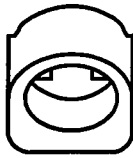


成型尺寸	公差
L≤10	±0.2
10<L≤30	±0.3
30<L≤50	±0.5
50<L≤100	±0.7
100<L≤250	±1.2
ABOVE 250	±1.5



MOUNTING HOLE

Component - Plastic

E41939

E I DUPONT DE NEMOURS & CO INC  
ENGINEERING POLYMERS, CHESTNUT RUN PLAZA, PO BOX 80713, WILMINGTON DE 19880  
101(r9)(f1), 101F(r9)(f1), 101L(r9)(f1), E101(r9)(f1), E101L(r9)(f1)  
Polyamide 66 (PA66), "Zytel", furnished as pellets

Color	Min Thk (mm)	Flame Class	HWI	HAI	RTI Elec	RTI Imp	RTI Str
ALL	0.71	V-2	4	0	130	75	85
	1.5	V-2	3	0	130	75	85
	3.0	V-2	2	0	130	75	85
	6.0	V-2	2	0	130	75	85

Comparative Tracking Index (CTI): 0  
Dielectric Strength (kV/mm): 13  
High-Voltage Arc Tracking Rate (HVTR): 0  
Dimensional Stability (%): -

Inclined Plane Tracking (IPT): -  
Volume Resistivity ( $10^9$  ohm-cm): 14  
High Volt, Low Current Arc Resis (D485): 6

(f1) - Suitable for outdoor use with respect to exposure to Ultraviolet Light, Water Exposure and Immersion in accordance with UL 746C.

NOTE: (1) Material designations that are color pigmented may be followed by suffix letters and numbers. (2) Material designations may be prefixed by "Zytel" for Zytel or "Minlon" for Minlon or "DEL" for Dairin or "CRA" for Creslin or "RYN" for Rynite or "ETPV" for ETPV grades.

r9 - Virgin and regrind up to 80% by weight inclusive, have the same basic material characteristics for ALL colors down to 0.71mm. For thicknesses 0.40mm to 0.70mm the same basic material characteristics for ALL colors down to 0.71mm. For thicknesses exceeding 25% is limited to V-2 Flammability for WT, RD, BK.

ANSI/UL 94 small-scale test data does not pertain to building materials, furnishings and related contents. ANSI/UL 94 small-scale test data is intended solely for determining the flammability of plastic materials used in the components and parts of end-product devices and appliances, where the acceptability of the combination is determined by UL.

Report Date: 1996-07-29  
Last Revised: 2010-07-27

© 2011 Underwriters Laboratories, Inc.



 <b>康揚企業股份有限公司</b> KANG YANG HARDWARE ENTERPRISE CO., LTD. <b>康揚塑膠(東莞)有限公司</b> KANG YANG PLASTIC(DONG GUAN) CO., LTD. <b>康哲電腦配件(吳江)有限公司</b> KANG CHE COMPUTER COMPONENTS(WUJIANG) CO., LTD.	TITLE		LED間隔柱	產品規格圖面		
	MATERIAL		NYLON 66 UL94V-2	DATE		2012.07.11
	FINISH			DRAWN		T.C
	COLOR		NATURAL	CHECK		
PART NUMBER	DRAWING NUMBER	UNLESS OTHERWISE SPECIFIED TOLERANCE		APPROVED		
LEDA-17	LEDA-17	SEE ABOVE				
SIZE	SCALE	UNIT	REV			
A4	3:1	mm	A			