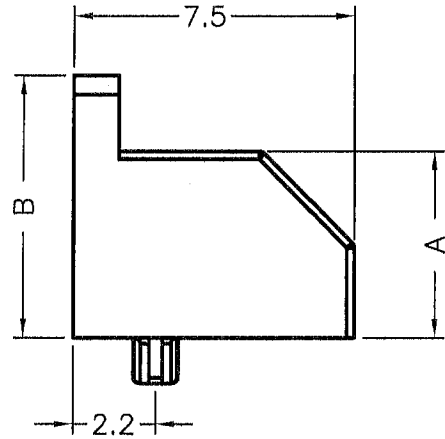
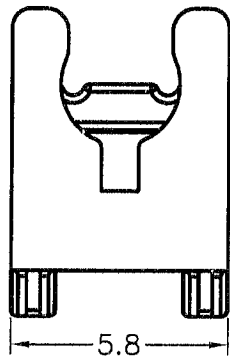
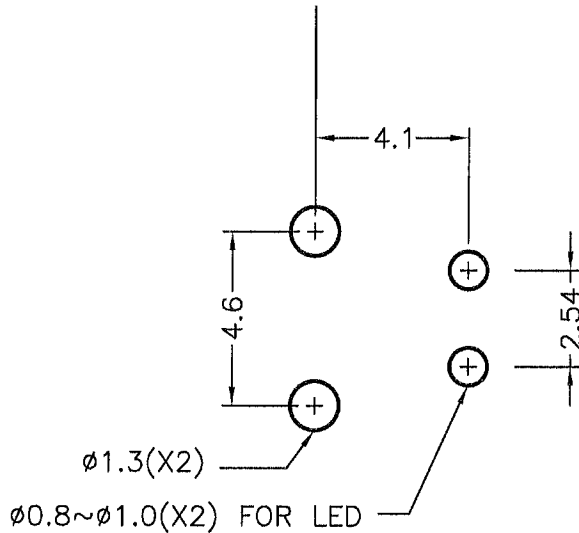


DIM.	TOL
5mm DOWN	±0.2
5~20mm	±0.3
20~40mm	±0.4
40~60mm	±0.5
60~100mm	±0.8
100mm UP	±1.0

REVISIONS			
REV	DESCRIPTION	DATE	BY



PART NO.	A	B
LEJ-4(B)	4	6
LEJ-5(B)	5	7
LEJ-6(B)	6	8
LEJ-7(B)	7	9
LEJ-8(B)	8	10
LEJ-9(B)	9	11



NOTE: All measurement does not include gate which raises under 0.3mm.

				TITLE	LED HOLDER	SPEC. DWG.	
				MATERIAL	ABS UL94HB	DATE	2005.09.06
PART NUMBER SEE ABOVE				FINISH		DRAWN	S.J.C.
				COLOR	BLACK	CHECK	
SIZE	A4	SCALE	5:1	UNIT	mm	REV	A
DRAWING NUMBER				LEJ-H			
UNLESS OTHERWISE SPECIFIED TOLERANCE				SEE ABOVE		APPROVED	