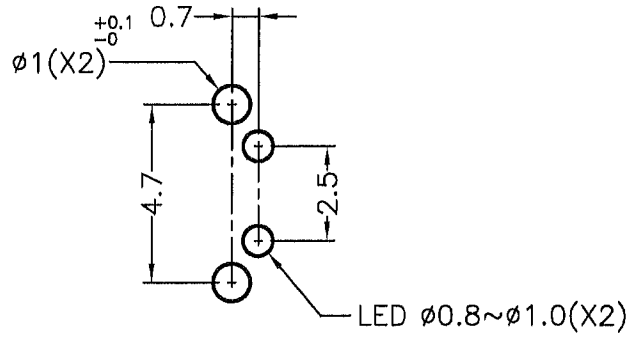
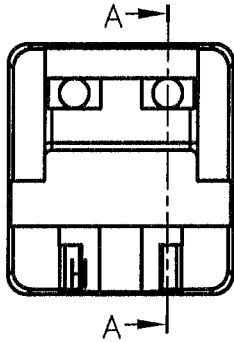
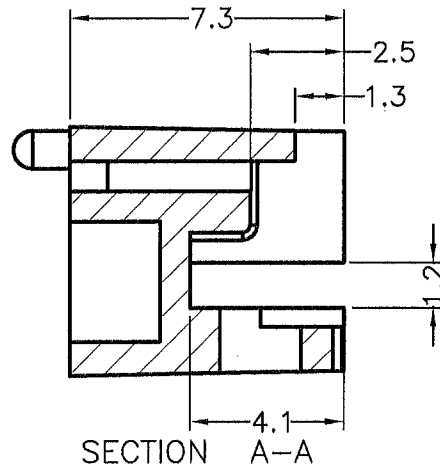
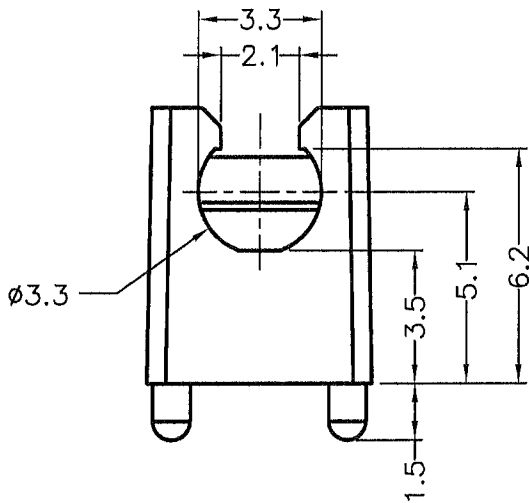


DIM.	TOL
L≤10	±0.2
10<L≤30	±0.3
30<L≤50	±0.5
50<L≤100	±0.7
100<L≤250	±1.2
ABOVE 250	±1.5

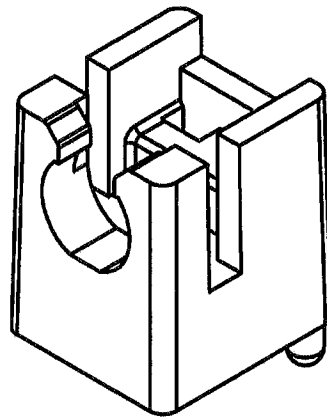
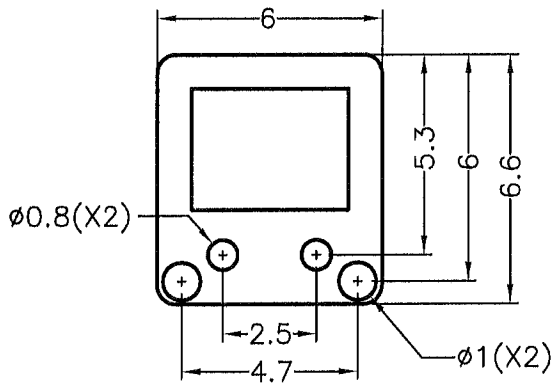
REVISIONS			
REV	DESCRIPTION	DATE	BY




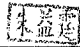
MOUNTING HOLES



SECTION A-A



NOTE: All measurement does not include gate which raises under 0.3mm.

 <p>康揚企業股份有限公司 KANG YANG HARDWARE ENTERPRISE CO., LTD. 康揚塑膠(東莞)有限公司 KANG YANG PLASTIC(DONG GUAN) CO., LTD. 康哲電腦配件(吳江)有限公司 KANG CHE COMPUTER COMPONENTS(WUJIANG) CO., LTD.</p>	TITLE LED HOLDER		SPEC. DWG.	
	MATERIAL ABS UL94HB		DATE 2014.04.14	
	FINISH		DRAWN ALBERT	
	COLOR NATURAL		CHECK 	
PART NUMBER LEJA-5		DRAWING NUMBER LEJA-5		UNLESS OTHERWISE SPECIFIED TOLERANCE SEE ABOVE
SIZE A4	SCALE 5:1	UNIT mm	REV A	APPROVED 