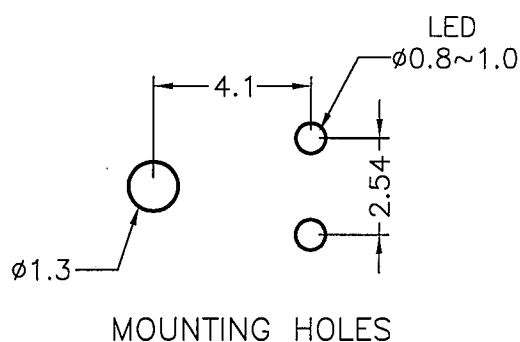
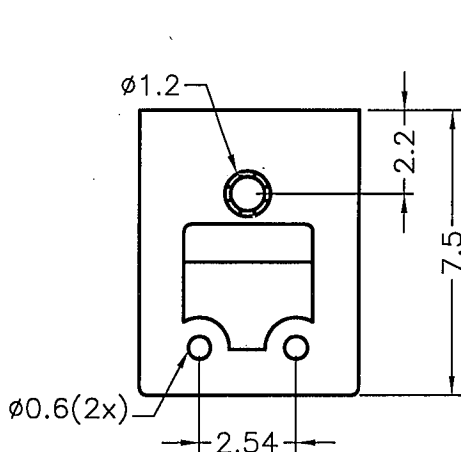
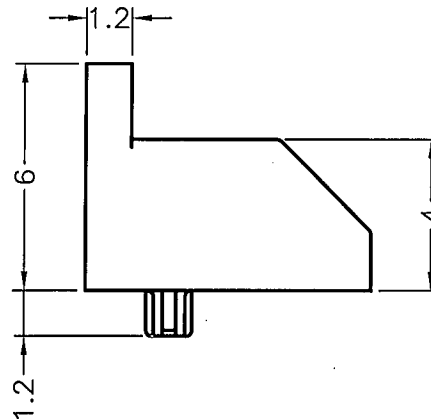
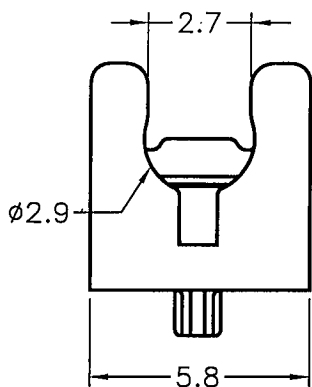


成型尺寸	公差
5mm以下	±0.2
5~20mm	±0.3
20~40mm	±0.4
40~60mm	±0.5
60~100mm	±0.8
100mm以上	±1.0

REVISIONS			
REV	DESCRIPTION	DATE	BY



QM722 Component - Plastics Friday, October 24, 2003 E161759  
 CHE PLASTICS GLOBAL PRODUCTS FOR WORLDWIDE PROCUREMENT  
 1 PLASTICS AVE FITSFIELD WA 01201  
 Material Designation: C6200 (1) (3) (4) (6) (7) (8) (9) (11)  
 Product Description: Polycarbonate/Acrylonitrile Butadiene Styrene (PC/ABS), designated "Cycoloy" furnished as pellets.

Color	Min. Thick. (mm)	Flame Class	HWI	HAI	RTI Elec	RTI Imp	RTI Str	IEC GWIT	IEC GWFI
BK, GY	0.7	HB	-	-	60	60	60	-	-
ALL	1.2	V-1	-	-	60	60	60	-	-
	1.5	V-0	3	0	85	75	85	-	-
	2	V-0, SVB	-	-	85	75	85	-	-
	3	V-0, SVB	2	0	85	85	85	-	-
	3.4	V-0, SVA	-	-	85	85	85	-	-

CTI: 2 IEC CTI: - HVTR: 3 D495: 6 IEC Ball Pressure (kN) -  
 Dielectric Strength (kV/mm): 25 Volume Resistivity (10<sup>12</sup> ohm-cm): 16 Dimensional Stability (%) 0  
 ISO Tensile Strength (MPa): - ISO Hardness (MPa): - ISO Heat Deflection (°C): -  
 ISO Tensile Impact (kJ/m<sup>2</sup>): - ISO Ind Impact (kJ/m<sup>2</sup>): - ISO Charpy Impact (kJ/m<sup>2</sup>): -


- 1 Americas E121562
- 11 Pacific E207780
- 3 Europe E45329
- 4 Japan E45367
- 5 Australia E101788
- 6 Korea E115239
- 7 China E161723
- 9 Singapore E161684

NOTE Material designation may be followed by a color nomenclature consisting of either an alpha/numeric or a numeric/alpha combination.

Report Date: 8/11/1995

Underwriters Laboratories Inc®

UL94 small-scale test data does not pertain to building materials, furnishings and related contents. UL 94 small-scale test data is intended solely for determining the flammability of plastic materials used in components and parts of end-product devices and appliances, where the acceptability of the combination is determined by ULL.

 <p>康揚企業股份有限公司 KANG YANG HARDWARE ENTERPRISE CO., LTD. 康揚塑膠(東莞)有限公司 KANG YANG PLASTIC(DONG GUAN) CO., LTD. 康哲電腦配件(吳江)有限公司 KANG CHE COMPUTER COMPONENTS(WUJIANG) CO., LTD.</p>	TITLE		90°LED間隔柱		產品規格圖面		
	MATERIAL		PC+ABS UL94V-0		DATE		2008.06.03
	FINISH		BLACK		DRAWN		BUNNY
	COLOR		BLACK		CHECK		童智遠
PART NUMBER	DRAWING NUMBER		UNLESS OTHERWISE SPECIFIED TOLERANCE		APPROVED		
LEJT-4V0B	LEJT-H		SEE ABOVE		Kang		
SIZE	SCALE	UNIT	REV				
A4	5:1	mm	A				