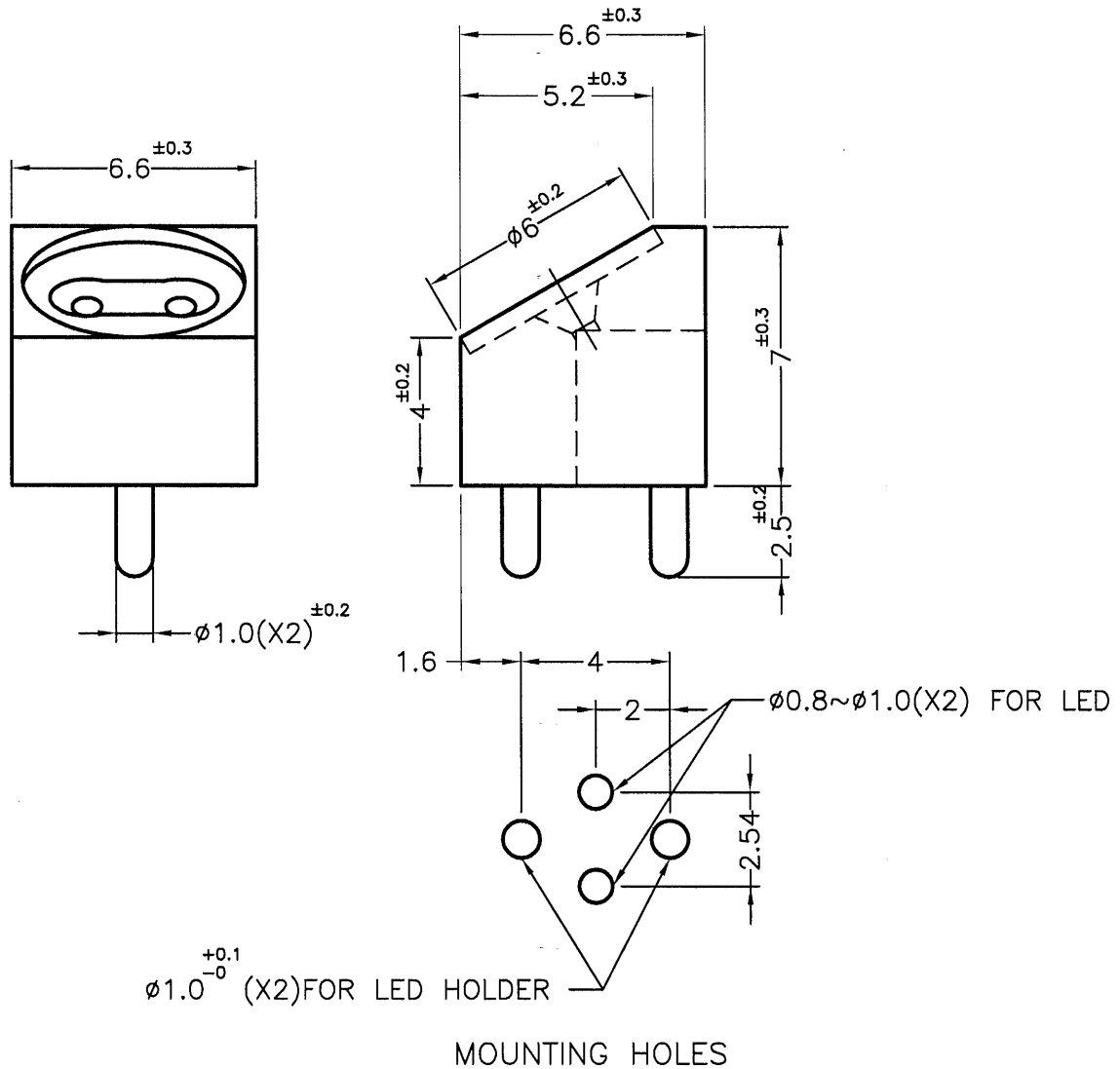




REVISIONS			
REV	DESCRIPTION	DATE	BY



PART NO.	COLOR
LEK-513(N)	NATURAL
LEK-513	BLACK

 <p>康揚企業股份有限公司 KANG YANG HARDWARE ENTERPRISE CO., LTD. 康揚塑膠(東莞)有限公司 KANG YANG PLASTIC(DONG GUAN) CO., LTD. 康哲電腦配件(吳江)有限公司 KANG CHE COMPUTER COMPONENTS(WUJIANG) CO., LTD.</p>	TITLE LED HOLDER		SPEC. DWG.	
	MATERIAL NYLON 66 UL94V-2		DATE 2001.06.20	
	FINISH		DRAWN AMY	
	COLOR SEE ABOVE		CHECK 	
PART NUMBER SEE ABOVE	DRAWING NUMBER LEK-513		UNLESS OTHERWISE SPECIFIED TOLERANCE SEE ABOVE	
SIZE A4	SCALE 5:1	UNIT mm	REV A	APPROVED 