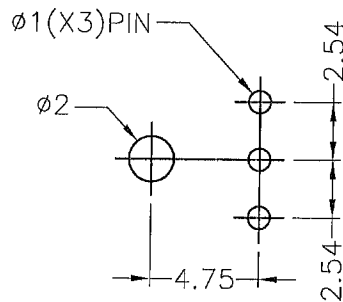
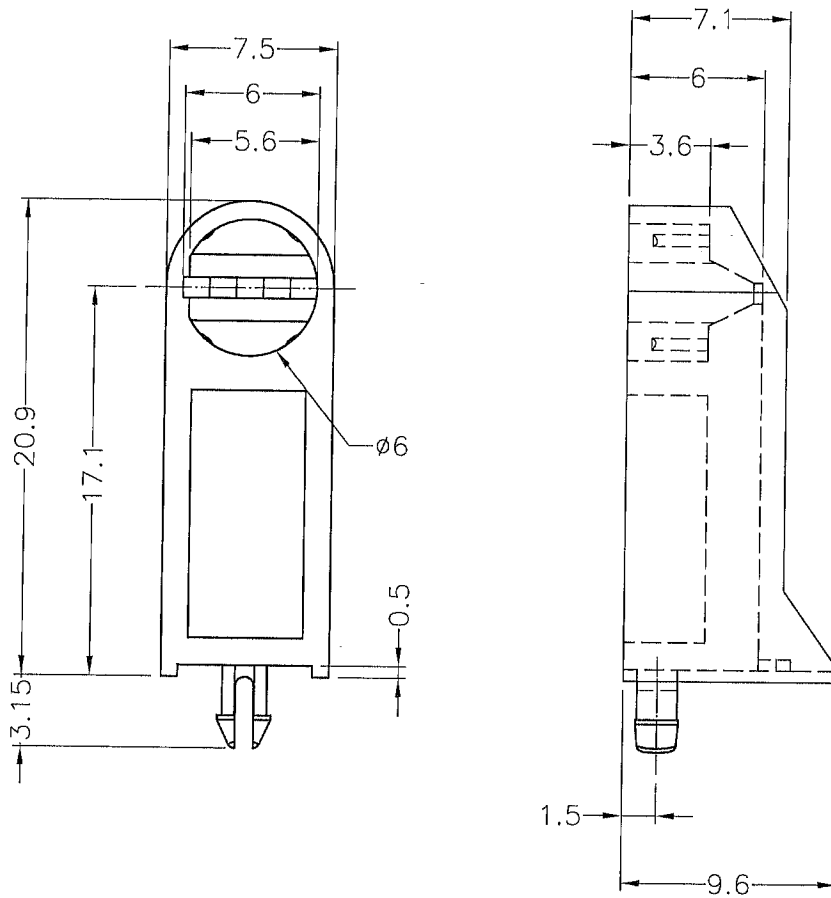


DIM.	TOL.
L≤10	±0.2
10<L≤30	±0.3
30<L≤50	±0.5
50<L≤100	±0.7
100<L≤250	±1.2
ABOVE 250	±1.5



REVISIONS			
REV	DESCRIPTION	DATE	BY



PART NO.	COLOR
LEK-546V0	NATURAL(WHITE)
LEK-546V0(B)	BLACK

MOUNTING HOLE
THICKNESS:1.6

NOTE: All measurement does not include gate which raises under 0.3mm.

 康揚企業股份有限公司 KANG YANG HARDWARE ENTERPRISE CO., LTD. 康揚塑膠(東莞)有限公司 KANG YANG PLASTIC(DONG GUAN) CO., LTD. 康哲電腦配件(吳江)有限公司 KANG CHE COMPUTER COMPONENTS(WUJIANG) CO., LTD.			TITLE	LED HOLDER	SPEC. DWG.	
			MATERIAL	NYLON 66 UL94V-0	DATE	2014.07.14
			FINISH		DRAWN	C.S.L
			COLOR	SEE ABOVE	CHECK	
PART NUMBER	SEE ABOVE	DRAWING NUMBER	LEK-546	UNLESS OTHERWISE SPECIFIED TOLERANCE	SEE ABOVE	
SIZE	A4	SCALE	3:1	UNIT	mm	
		REV	B	APPROVED	