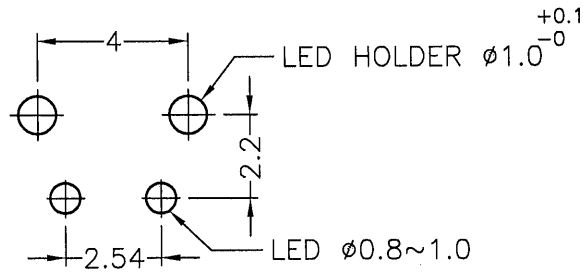
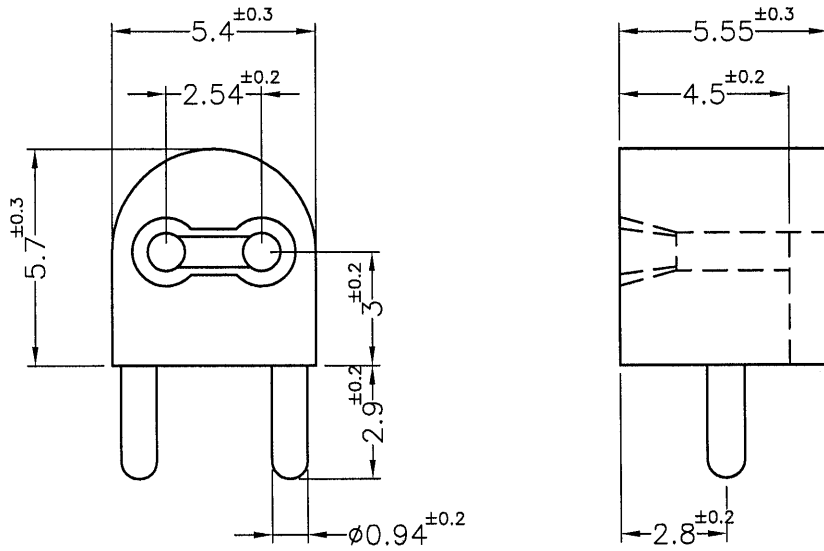




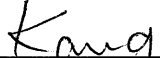
| REVISIONS |             |      |    |
|-----------|-------------|------|----|
| REV       | DESCRIPTION | DATE | BY |
|           |             |      |    |
|           |             |      |    |



MOUNTING HOLES

|           |         |
|-----------|---------|
| PART NO.  | COLOR   |
| LEKH-3(N) | NATURAL |
| LEKH-3    | BLACK   |

NOTE:MADE OF EQUIVALENT MATERIAL.  
可使用同等材質

|  |           |                |        |                                      |                  |            |   |
|--|-----------|----------------|--------|--------------------------------------|------------------|------------|---|
|  <p>康揚企業股份有限公司<br/>KANG YANG HARDWARE ENTERPRISE CO., LTD.<br/>康揚塑膠(東莞)有限公司<br/>KANG YANG PLASTIC(DONG GUAN )CO.,LTD.<br/>康哲電腦配件(吳江)有限公司<br/>KANG CHE COMPUTER COMPONENTS(WUJIANG) CO.,LTD.</p> |           |                |        | TITLE                                | LED HOLDER       | SPEC. DWG. |   |
|  |           |                |        | MATERIAL                             | NYLON 66 UL94V-2 | DATE       | 2005.11.07  |
|  |           |                |        | FINISH                               |                  | DRAWN      | JASON   |
|  |           |                |        | COLOR                                | SEE ABOVE        | CHECK      |  |
| PART NUMBER  | SEE ABOVE | DRAWING NUMBER | LEKH-3 | UNLESS OTHERWISE SPECIFIED TOLERANCE | SEE ABOVE        | APPROVED   |  |
| SIZE   | A4        | SCALE          | 5:1    | UNIT                                 | mm               | REV        | B   |