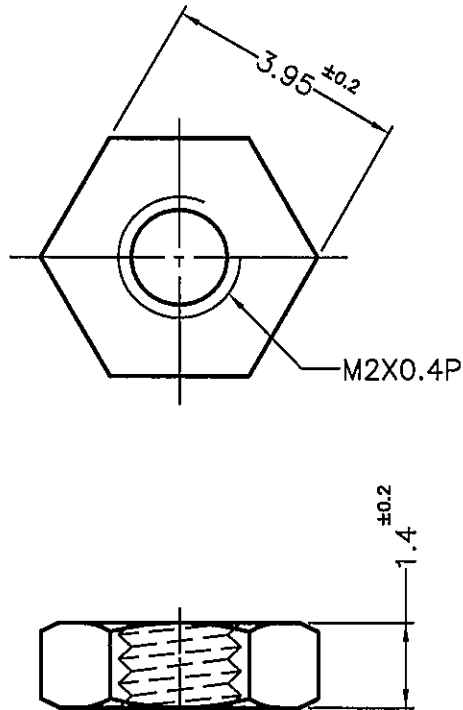

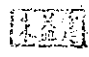


REVISIONS			
REV	DESCRIPTION	DATE	BY



NOTE:MADE OF EQUIVALENT MATERIAL.  
均可使用同等材質.

 <p>康揚企業股份有限公司 KANG YANG HARDWARE ENTERPRISE CO., LTD. 康揚塑膠(東莞)有限公司 KANG YANG PLASTIC(DONG GUAN )CO.,LTD. 康哲電腦配件(吳江)有限公司 KANG CHE COMPUTER COMPONENTS(WUJIANG) CO.,LTD.</p>				TITLE	NUT	SPEC. DWG.		
				MATERIAL	PC UL94V-2	DATE	2004.06.14	
				FINISH		DRAWN	James	
PART NUMBER	M-2	DRAWING NUMBER	M-2	COLOR	NATURAL	CHECK		
SIZE	A4	SCALE	8:1	UNIT	mm	REV	A	
				UNLESS OTHERWISE SPECIFIED TOLERANCE	SEE ABOVE	APPROVED	