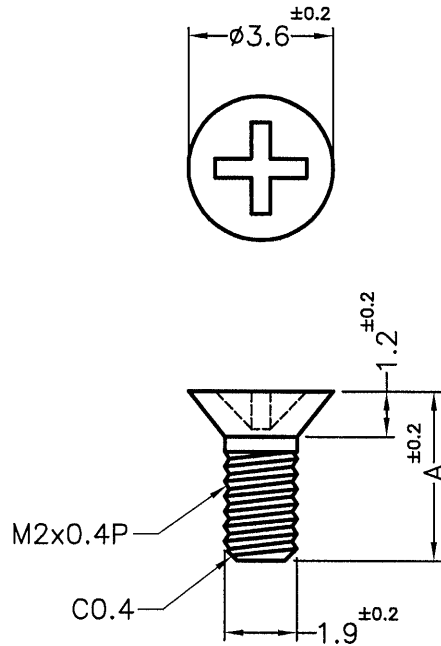





REVISIONS			
REV	DESCRIPTION	DATE	BY



PART NO.	A
M2-5.5F	5.5
M2-6.5F	6.5
M2-7.5F	7.5
M2-8.5F	8.5

NOTE:MADE OF EQUIVALENT MATERIAL.  
均可使用同等材質.

 <p>康揚企業股份有限公司 KANG YANG HARDWARE ENTERPRISE CO., LTD. 康揚塑膠(東莞)有限公司 KANG YANG PLASTIC(DONG GUAN) CO., LTD. 康哲電腦配件(吳江)有限公司 KANG CHE COMPUTER COMPONENTS(WUJIANG) CO., LTD.</p>	TITLE		SCREW	SPEC. DWG.	
	MATERIAL		PC UL94V-2	DATE	
	FINISH			DRAWN	
	COLOR		NATURAL	CHECK	
PART NUMBER		DRAWING NUMBER		APPROVED	
SEE ABOVE		M2-HF		 	
SIZE	SCALE	UNIT	REV	TOLERANCE	
A4	5:1	mm	A	SEE ABOVE	