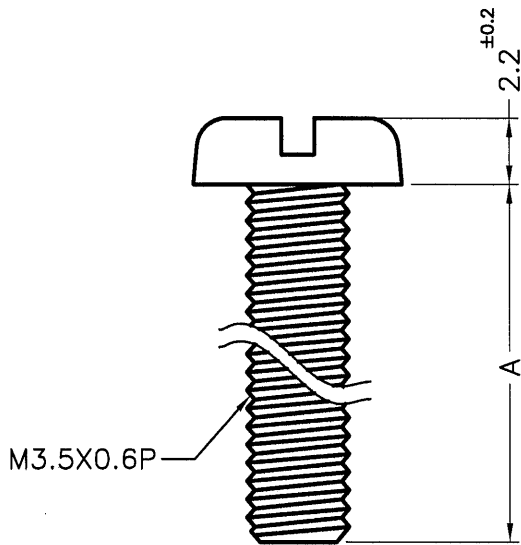
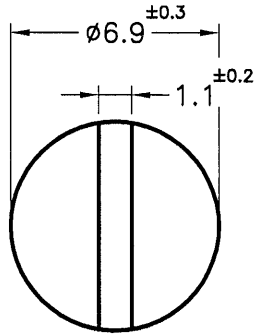



REVISIONS			
REV	DESCRIPTION	DATE	BY



PART NO.	A
M3.5-10	10.0
M3.5-15	15.0
M3.5-20	20.0
M3.5-25	25.0
M3.5-30	30.0

NOTE:MADE OF EQUIVALENT MATERIAL.
使用同等材質

 <p>康揚企業股份有限公司 KANG YANG HARDWARE ENTERPRISE CO., LTD. 康揚塑膠(東莞)有限公司 KANG YANG PLASTIC(DONG GUAN) CO., LTD. 康哲電腦配件(吳江)有限公司 KANG CHE COMPUTER COMPONENTS(WUJIANG) CO., LTD.</p>				TITLE	SCREW	SPEC. DWG	
				MATERIAL	PC UL94V-2	DATE	2001.01.16
				FINISH		DRAWN	AMY
				COLOR	NATURAL	CHECK	彭永承
PART NUMBER	SEE ABOVE	DRAWING NUMBER	M3.5-H	UNLESS OTHERWISE SPECIFIED TOLERANCE	SEE ABOVE	APPROVED	Kang
SIZE	A4	SCALE	4:1	UNIT	mm	REV	C