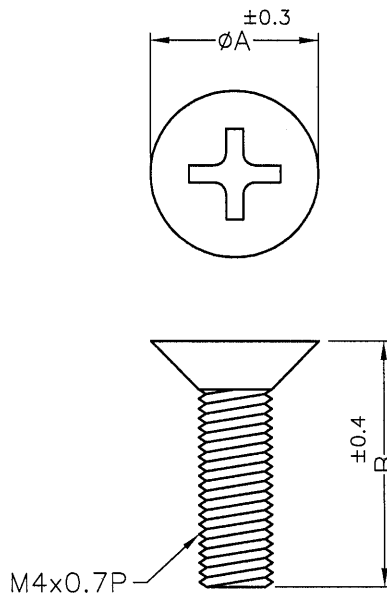

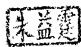


REVISIONS			
REV	DESCRIPTION	DATE	BY



PART NO.	A	B
M4-8F	7.6	8.0
M4-10F	7.6	10.0
M4-12F	7.6	12.0
M4-14F	7.6	14.0
M4-16F	7.6	16.0

NOTE:MADE OF EQUIVALENT MATERIAL.
均可使用同等材質.

 <p>康揚企業股份有限公司 KANG YANG HARDWARE ENTERPRISE CO., LTD. 康揚塑膠(東莞)有限公司 KANG YANG PLASTIC(DONG GUAN)CO.,LTD. 康哲電腦配件(吳江)有限公司 KANG CHE COMPUTER COMPONENTS(WUJIANG) CO.,LTD.</p>				TITLE	PLASTIC SCREW	SPEC. DWG.					
				MATERIAL	PC UL94V-2	DATE	2004.09.09				
				FINISH		DRAWN	JASON				
PART NUMBER	SEE ABOVE	DRAWING NUMBER	M4-HF	COLOR	NATURAL	CHECK					
SIZE	A4	SCALE	NONE	UNIT	mm	REV	A	UNLESS OTHERWISE SPECIFIED TOLERANCE	SEE ABOVE	APPROVED	