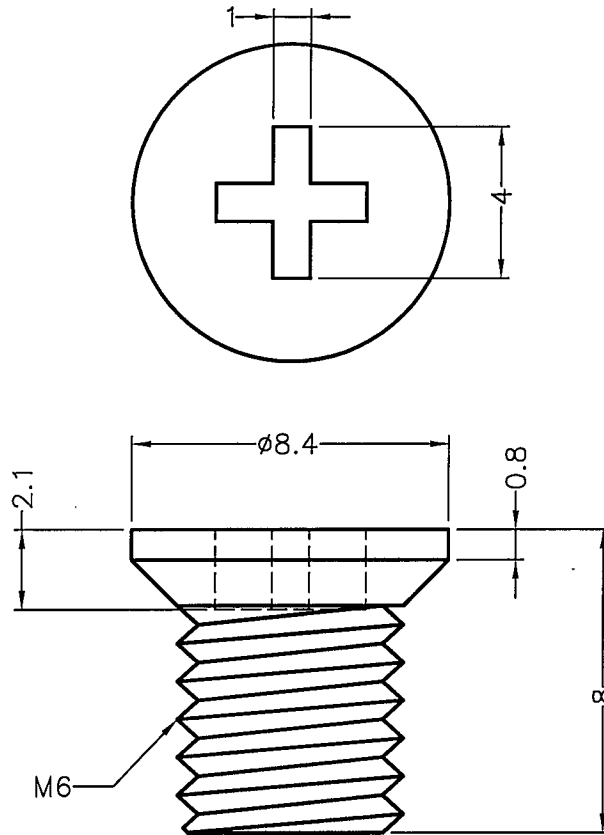


成型尺寸	公差
5mm以下	±0.2
5~20mm	±0.3
20~40mm	±0.4
40~60mm	±0.5
60~100mm	±0.8
100mm以上	±1.0

REVISIONS			
REV	DESCRIPTION	DATE	BY



QMFZ2 Component - Plastic
 TEIJIN CHEMICALS LTD
 HIBIYA DAIBIRU BLDG 2-2 UCHISAIWAI-CHO 1-CHOME CHIYODA-KU TOKYO 100-0011 JAPAN
 Material Designation: LN-2250(##)(f1)
 Product Description: Polycarbonate (PC), designated "Panlite" furnished as pellets, powder.

Color	Min. Thick. (mm)	Flame Class	HWI	HAI	RTI Elec	RTI Imp	RTI Str	IEC GWIT	IEC GWFI
ALL	0.43	V-2	-	-	80	80	80	-	-
	3	V-0	3	0	125	115	125	-	-
	6	V-0	3	0	125	115	125	-	-

CTI: 3 IEC CTI: - HVTR: 3 D495: 6 IEC Ball Pressure (C): -
 Dielectric Strength (kV/mm): - Volume Resistivity (10¹⁰ohm-cm): - Dimensional Stability(%) 0
 ISO Tensile Strength (MPa): - ISO Flexural Strength (MPa): - ISO Heat Deflection (C): -
 ISO Tensile Impact (kJ/m²): - ISO Izod Impact (kJ/m²): - ISO Charpy Impact (kJ/m²): -

(##) May be suffixed with one or two letters except for a single letter U, V or Z or the letters U, V or Z followed by another letter.
 (f1) Suitable for outdoor use with respect to exposure to Ultraviolet Light, Water Exposure and Immersion in accordance with UL 746C.

Report Date: 5/11/1989 Underwriters Laboratories Inc®
 UL94 small-scale test data does not pertain to building materials, furnishings and related contents. UL 94 small-scale test data is intended solely for determining the flammability of plastic materials used in components and parts of end-product devices and appliances, where the acceptability of the combination is determined by ULI.

<p>康揚企業股份有限公司 KANG YANG HARDWARE ENTERPRISE CO., LTD. 康揚塑膠(東莞)有限公司 KANG YANG PLASTIC(DONG GUAN) CO., LTD. 康哲電腦配件(吳江)有限公司 KANG CHE COMPUTER COMPONENTS(WUJIANG) CO., LTD.</p>	TITLE 塑膠螺絲		產品規格圖面	
	MATERIAL PC UL94V-0		DATE 2009.08.06	
	FINISH		DRAWN Eric	
	COLOR NATURAL		CHECK 	
PART NUMBER M6-8F	DRAWING NUMBER M6-8F		UNLESS OTHERWISE SPECIFIED TOLERANCE SEE ABOVE	
SIZE A4	SCALE 5:1	UNIT mm	REV A	APPROVED