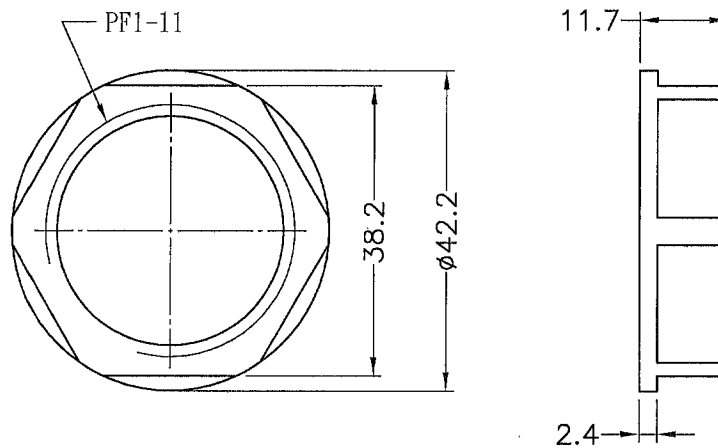


DIM.	TOL.
L≤10	±0.2
10<L≤30	±0.3
30<L≤50	±0.5
50<L≤100	±0.7
100<L≤250	±1.2
ABOVE 250	±1.5

REVISIONS			
REV	DESCRIPTION	DATE	BY



NOTE: All measurement does not include gate which raises under 0.3mm.

PART NO.	COLOR
MO-25.4PP	NATURAL
MO-25.4PP(B)	BLACK



康揚企業股份有限公司
KANG YANG HARDWARE ENTERPRISE CO., LTD.
康揚塑膠(東莞)有限公司
KANG YANG PLASTIC(DONG GUAN) CO., LTD.
康哲電腦配件(吳江)有限公司
KANG CHE COMPUTER COMPONENTS(WUJIANG) CO., LTD.

TITLE	NUT	SPEC. DWG.
MATERIAL	PP	DATE 2009.12.22
FINISH		DRAWN JIM
COLOR	SEE ABOVE	CHECK
UNLESS OTHERWISE SPECIFIED TOLERANCE	SEE ABOVE	APPROVED

PART NUMBER	SEE ABOVE	DRAWING NUMBER	MO-25.4PP
SIZE	A4	SCALE	1:1
UNIT	mm	REV	B