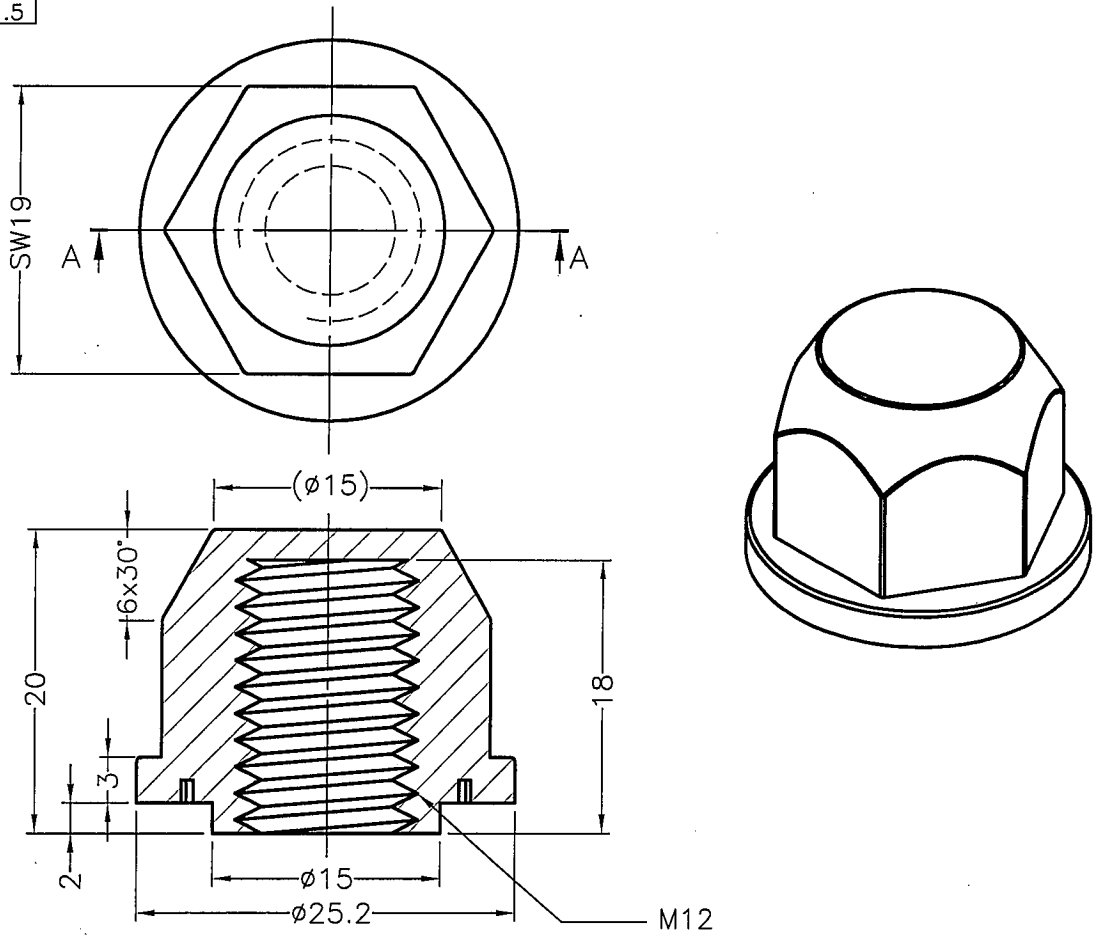


DTM.	TOL
L≤10	±0.2
10<L≤30	±0.3
30<L≤50	±0.5
50<L≤100	±0.7
100<L≤250	±1.2
ABOVE 250	±1.5

REVISIONS			
REV	DESCRIPTION	DATE	BY



SECTION A-A

QMPF22 Component - Plastics  
 E I DUPONT DE NEMOURS & CO INC  
 ENGINEERING POLYMERS CHESTNUT RUN PLAZA PO BOX 80713 WILMINGTON DE 19880

Wednesday, September 15, 2004

E41938

Material Designation: 101(+)(f1), 101F(+)(f1), 101L(+)(f1), E101(+)(f1), E101L(f1), 132F(+)(f1), 135F(+)(f1)  
 Product Description: Polyamide 66 (PA66), designated "Zytel" furnished as pellets.

Color	Min. Thick. (mm)	Flame Class	HVI	HAI	RTI Elec	RTI Imp	RTI Str	IEC GWIT	IEC GWFI
ALL	0.71	V-2	4	0	130	75	85	725	960
	1.5	V-2	3	0	130	75	85	750	960
	3	V-2	2	0	130	75	85	800	960
	6	V-2	2	0	130	75	85	800	960

CTI: 0	HVTR: 0	D495: 6	IEC Ball Pressure (Ck):
Dielectric Strength (kV/mm): 13	Volume Resistivity (10 <sup>12</sup> ohm-cm): 14	ISO Flexural Strength (MPa):	Dimensional Stability(%):
ISO Tensile Strength (MPa):	ISO Flexural Modulus (GPa):	ISO Heat Deflection (Ck):	ISO Charpy Impact (kJ/m <sup>2</sup> ):
ISO Tensile Impact (kJ/m <sup>2</sup> ):	ISO Izod Impact (kJ/m <sup>2</sup> ):		

(+) Virgin and regrind up to 50% by weight inclusive, have the same basic material characteristics.  
 (f1) Suitable for outdoor use with respect to exposure to Ultraviolet Light, Water Exposure and Immersion in accordance with UL 746C.

NOTE (1) Material designations that are color pigmented may be followed by suffix letters and numbers. (2) Material designations may be prefixed by "ZYT" or "MIN" or "ZEN" or "DEL" or "CRA" or "RYN".

Report Date: 7/29/1996 Underwriters Laboratories Inc®

UL94 small-scale test data does not pertain to building materials, furnishings and related contents. UL 94 small-scale test data is intended solely for determining the flammability of plastic materials used in components and parts of end-product devices and appliances, where the acceptability of the combination is determined by ULI.

<p>康揚企業股份有限公司          KANG YANG HARDWARE ENTERPRISE CO., LTD.          康揚塑膠(東莞)有限公司          KANG YANG PLASTIC(DONG GUAN) CO., LTD.          康哲電腦配件(吳江)有限公司          KANG CHE COMPUTER COMPONENTS(WUJIANG) CO., LTD.</p>	TITLE		SCREW BONNET	SPEC. DWG.	
	MATERIAL		NYLON 66 UL94V-2	DATE	
	FINISH			DRAWN	
	COLOR		BLACK	CHECK	
PART NUMBER	DRAWING NUMBER	UNLESS OTHERWISE SPECIFIED TOLERANCE		APPROVED	
MP-12(B)	MP-12	SEE ABOVE			
SIZE	SCALE	UNIT	REV		
A4	2:1	mm	A		