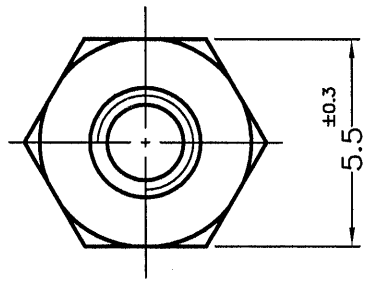
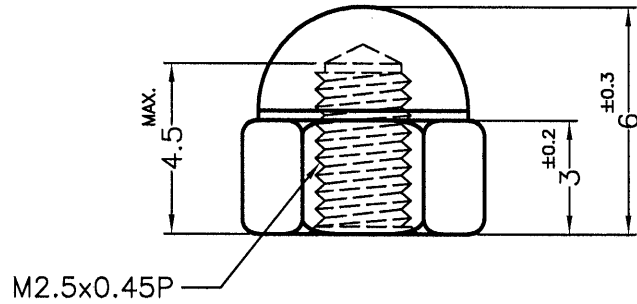


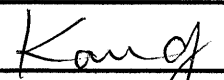


REVISIONS			
REV	DESCRIPTION	DATE	BY



PART NO.	COLOR
MP-2.5	NATURAL
MP-2.5(B)	BLACK

NOTE:MADE OF EQUIVALENT MATERIAL.
均可使用同等材質.

 <p>康揚企業股份有限公司 KANG YANG HARDWARE ENTERPRISE CO., LTD. 康揚塑膠(東莞)有限公司 KANG YANG PLASTIC(DONG GUAN) CO., LTD. 康哲電腦配件(吳江)有限公司 KANG CHE COMPUTER COMPONENTS(WUJIANG) CO., LTD.</p>				TITLE	SCREW BONNET	SPEC. DWG.	
				MATERIAL	NYLON 66 UL94V-2	DATE	2012.09.17
				FINISH		DRAWN	C.S.L
				COLOR	SEE ABOVE	CHECK	
PART NUMBER	SEE ABOVE	DRAWING NUMBER	MP-2.5	UNLESS OTHERWISE SPECIFIED TOLERANCE	SEE ABOVE	APPROVED	
SIZE	A4	SCALE	5:1	UNIT	mm	REV	B