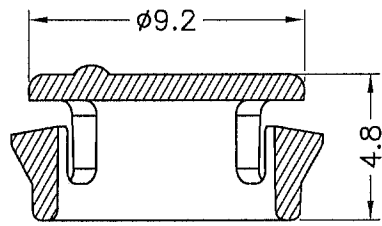
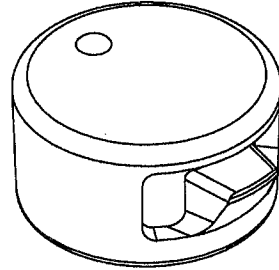
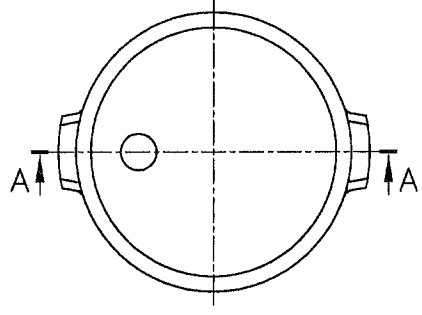


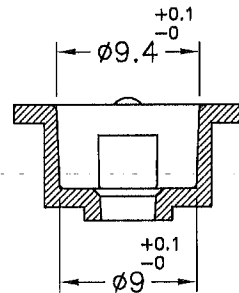
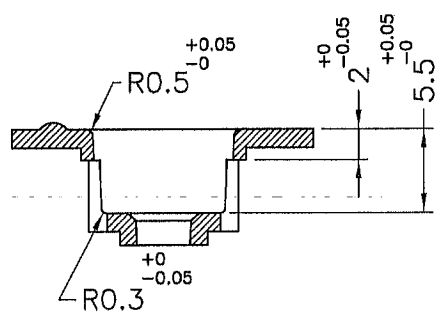
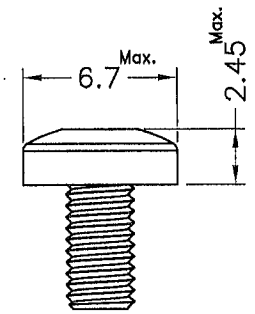
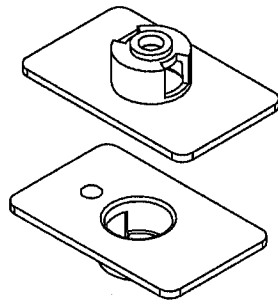
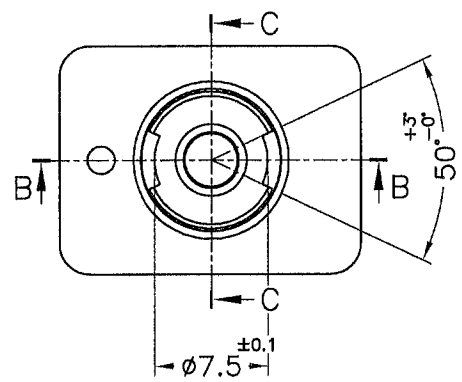
DIM.	TOL.
L≤10	±0.2
10<L≤30	±0.3
30<L≤50	±0.5
50<L≤100	±0.7
100<L≤250	±1.2
ABOVE 250	±1.5

REVISIONS			
REV	DESCRIPTION	DATE	BY



SECTION A-A

NOTE: 1. All measurement does not include gate which raises under 0.3mm.
 2. Shrinking is normal status.


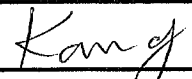


RECOMMEND SCREW

SECTION B-B

SECTION C-C

RECOMMEND MOUNTING HOLE AND THICKNESS

 康揚企業股份有限公司 KANG YANG HARDWARE ENTERPRISE CO., LTD. 康揚塑膠(東莞)有限公司 KANG YANG PLASTIC(DONG GUAN) CO., LTD. 康哲電腦配件(吳江)有限公司 KANG CHE COMPUTER COMPONENTS(WUJIANG) CO., LTD.				TITLE	SCREW CAP	SPEC. DWG.	
				MATERIAL	NYLON 66 UL94V-0	DATE	2014.05.05
PART NUMBER		DRAWING NUMBER		FINISH	DRAWN	K.W	
SCWA-6V0B		SCWA-6		COLOR	BLACK		
SIZE	SCALE	UNIT	REV	UNLESS OTHERWISE SPECIFIED TOLERANCE	SEE ABOVE	CHECK	
A4	4:1	mm	A	APPROVED			