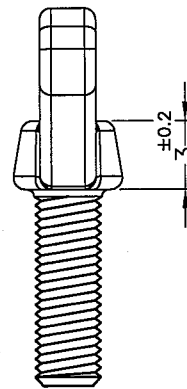
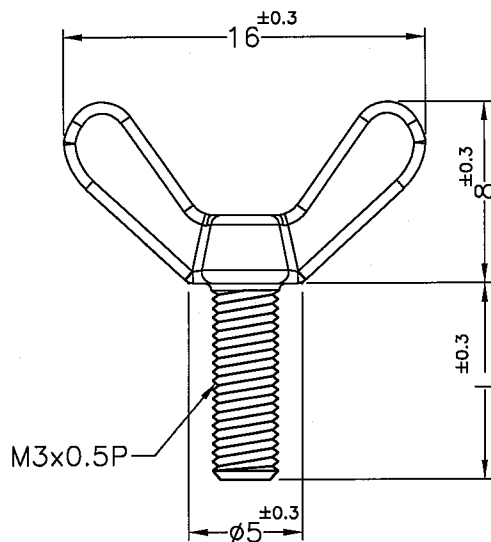


| PART NO. | L    |
|----------|------|
| SM3-6    | 6.0  |
| SM3-8    | 8.0  |
| SM3-10   | 10.0 |
| SM3-12   | 12.0 |



NOTE: 1. SHRINKING IS NORMAL STATUS.

內縮為正常現象。

2. MADE OF EQUIVALENT MATERIAL.

均可使用同等材質。



康揚企業股份有限公司  
KANG YANG HARDWARE ENTERPRISE CO., LTD.  
康揚塑膠(東莞)有限公司  
KANG YANG PLASTIC(DONG GUAN)CO., LTD.  
康哲電腦配件(吳江)有限公司  
KANG CHE COMPUTER COMPONENTS(WUJIANG)CO., LTD.

|   |                                       |                  |            |           |              |  |
|---|---------------------------------------|------------------|------------|-----------|--------------|--|
| PROPRIETARY AND CONFIDENTIAL<br>THE INFORMATION CONTAINED IN THIS DRAWING IS THE SOLE PROPERTY OF KANG YANG HARDWARE ENTERPRISE CO. ANY REPRODUCTION IN PART OR AS A WHOLE WITHOUT THE WRITTEN PERMISSION OF KANG YANG HARDWARE ENTERPRISE CO. IS PROHIBITED. | DATE                                  | TITLE            |            | DWG. NO.  | PART NO.     |  |
|   | 2009.11.19                            | SCREW            |            | SM3-H     | SEE ABOVE    |  |
|   | DRAWN                                 | MATERIAL         |            |           |              |  |
|   | T.C                                   | NYLON 66 UL94V-2 |            |           |              |  |
| CHECKED   | COLOR                                 | FINISH           | SIZE       | SPEC. DWG | REV          |  |
| Yuping  | NATURAL                               |                  | A4         |           | A            |  |
| APPROVED  | UNLESS OTHERWISE SPECIFIED TOLERANCE: |                  | SCALE: 3:1 | UNIT      | SHEET 1 OF 1 |  |
| DO NOT SCALE DRAWING  | SEE ABOVE                             |                  |            | mm        |              |  |