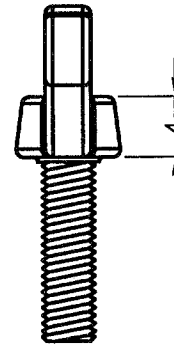
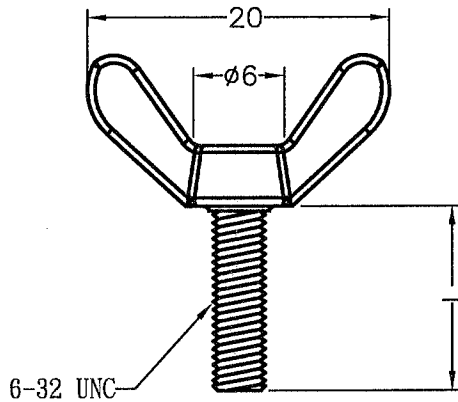
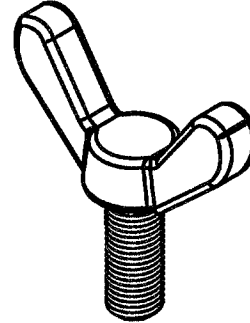
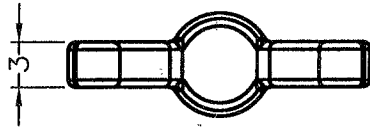


成型尺寸	公差
5mm以下	±0.2
5~20mm	±0.3
20~40mm	±0.4
40~60mm	±0.5
60~100mm	±0.8
100mm以上	±1.0

REVISIONS			
REV	DESCRIPTION	DATE	BY



Component - Plastic

E41938

E I DUPONT DE NEMOURS & CO INC
 ENGINEERING POLYMERS, CHESTNUT RUN PLAZA, PO BOX 90713, WILMINGTON DE 19880
 101(r9)(f1), 101F(r9)(f1), 101L(r9)(f1), E101(r9)(f1), E101L(r9)(f1)
 Polyamide 66 (PA66), "Zytel", furnished as pellets

Color	Mil Thk (mm)	Flame Class	HAI	HAI	RTI Eloc	RTI Imp	RTI Str
ALL	0.71	V-2	4	0	130	75	85
	1.5	V-2	3	0	130	75	85
	3.0	V-2	2	0	130	75	85
	6.0	V-2	2	0	130	75	85

Comparative Tracking Index (CTI): 0
 Dielectric Strength (kV/mm): 13
 High-Voltage Arc Tracking Rate (HVTR): 0
 Dimensional Stability (%): -

Inclined Plane Tracking (IPT): -
 Volume Resistivity (10¹² ohm-cm): 14
 High Volt, Low Current Arc Res: (D485): 6

(1) - Suitable for outdoor use with respect to exposure to Ultraviolet Light, Water Exposure and Immersion in accordance with UL 746C.

NOTE - (1) Material designations that are color pigmented may be followed by suffix letters and numbers. (2) Material designations may be prefixed by "ZYT" for Zytel or "MIN" for Milion or "DEL" for Delrin or "CRA" for Cresta or "RVN" for Rylnite or "ETPV" for ETPV grades.

r9 - Virgin and ragind up to 50% by weight inclusive, have the same basic material characteristics for ALL colors down to 0.71mm. For thickness 0.40mm to 0.70mm the same basic material characteristics exist with the exception of specific RTI's for all properties, and Ragind exceeding 25% is limited to V-2 Flammability (or WT, RD, BK).

ANSI/UL 94 small-scale test data does not pertain to building materials, furnishings and related products. ANSI/UL 94 small-scale test data is intended solely for determining the flammability of plastic materials used in the components and parts of end-product devices and appliances, where the acceptability of the combination is determined by UL.

Report Date: 1999-07-20
 Last Revised: 2010-07-27

© 2011 Underwriters Laboratories Inc.



PART NO.	L
SM632-6	6.35
SM632-8	8.0
SM632-9	9.5
SM632-12	12.7

康揚企業股份有限公司
 KANG YANG HARDWARE ENTERPRISE CO., LTD.
康揚塑膠(東莞)有限公司
 KANG YANG PLASTIC(DONG GUAN) CO., LTD.
康哲電腦配件(吳江)有限公司
 KANG CHE COMPUTER COMPONENTS(WUJIANG) CO., LTD.

ISO 9001
 ISO 14001
 QC 080000

PART NUMBER	DRAWING NUMBER		
SEE ABOVE	SM632-H		
SIZE	SCALE	UNIT	REV
A4	2:1	mm	A

TITLE	翼形螺絲	產品規格圖面
MATERIAL	NYLON 66 UL94V-2	DATE
FINISH	NATURAL	2009.11.19
COLOR	NATURAL	DRAWN
UNLESS OTHERWISE SPECIFIED TOLERANCE	SEE ABOVE	T.C
APPROVED	SEE ABOVE	王國賜
		Kang