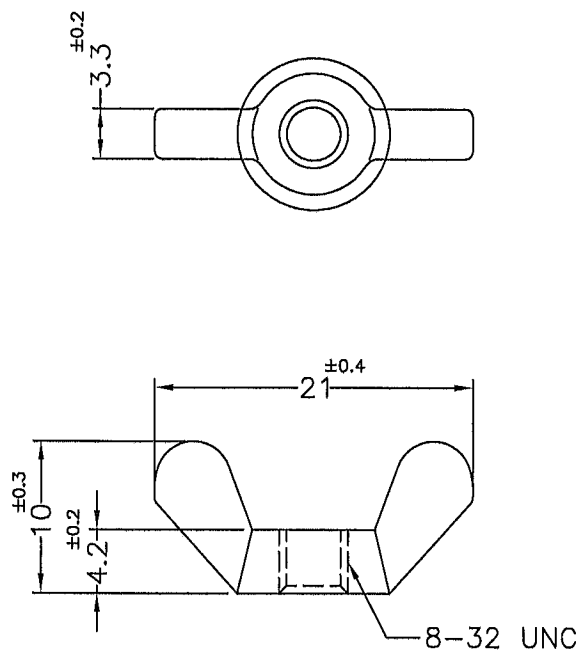




REVISIONS			
REV	DESCRIPTION	DATE	BY



NOTE:MADE OF EQUIVALENT MATERIAL.
可使用同等材質

 康揚企業股份有限公司 KANG YANG HARDWARE ENTERPRISE CO., LTD. 康揚塑膠(東莞)有限公司 KANG YANG PLASTIC(DONG GUAN) CO.,LTD. 康哲電腦配件(吳江)有限公司 KANG CHE COMPUTER COMPONENTS(WUJIANG) CO.,LTD.				TITLE	NUT	SPEC. DWG	
				MATERIAL	NYLON 66 UL94V-2	DATE	2006.06.19
				FINISH		DRAWN	BUNNY
PART NUMBER	SMO-832(N)	DRAWING NUMBER	SMO-832(N)	COLOR	NATURAL	CHECK	
SIZE	A4	SCALE	2:1	UNIT	mm	REV	A
				UNLESS OTHERWISE SPECIFIED TOLERANCE	SEE ABOVE	APPROVED	