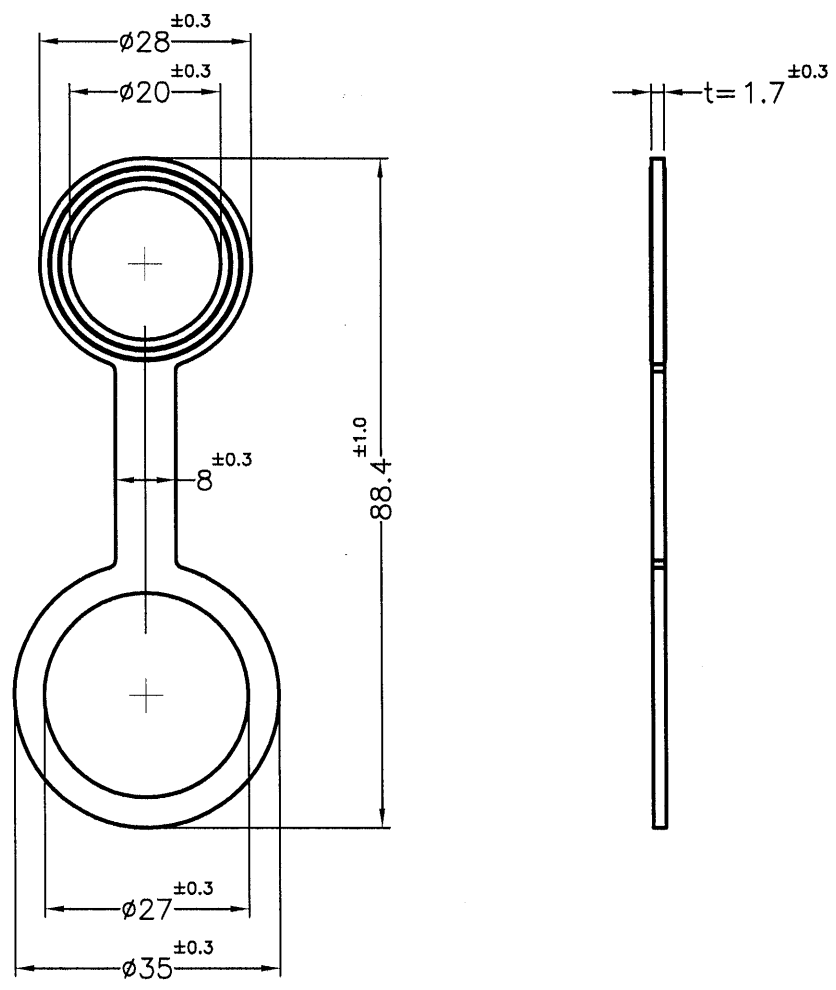


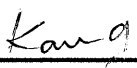


REVISIONS			
REV	DESCRIPTION	DATE	BY



NOTE: SHRINKING IS NORMAL STATUS.
內縮為正常現象.

 康揚企業股份有限公司 KANG YANG HARDWARE ENTERPRISE CO., LTD. 康揚塑膠(東莞)有限公司 KANG YANG PLASTIC(DONG GUAN) CO., LTD. 康哲電腦配件(吳江)有限公司 KANG CHE COMPUTER COMPONENTS(WUJIANG) CO., LTD.		TITLE	WATERPROOF RING	SPEC. DWG.			
		MATERIAL	EPDM	DATE	2009.03.23		
		FINISH		DRAWN	SAI		
		COLOR	BLACK	CHECK			
PART NUMBER	TF-568	DRAWING NUMBER	TF-568	UNLESS OTHERWISE SPECIFIED TOLERANCE	SEE ABOVE	APPROVED	
SIZE	A4	SCALE	1:1	UNIT	mm	REV	B