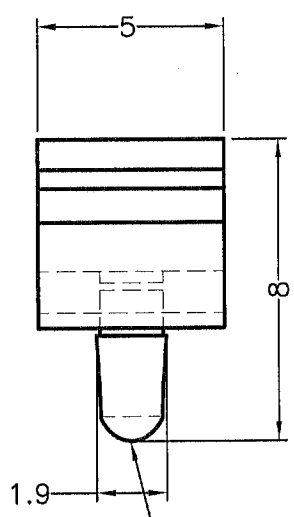
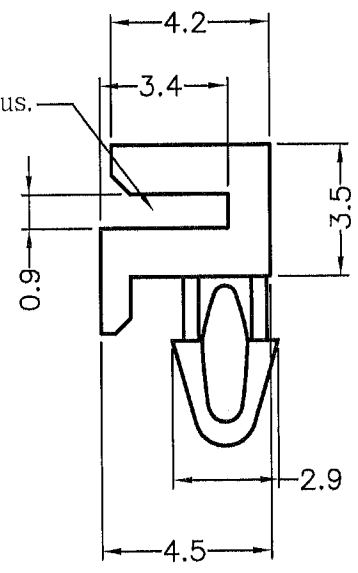


DIM.	TOL
L≤10	±0.2
10<L≤30	±0.3
30<L≤50	±0.5
50<L≤100	±0.7
100<L≤250	±1.2
ABOVE 250	±1.5

REVISIONS			
REV	DESCRIPTION	DATE	BY


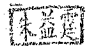


Shrinking is normal status.



HOLE IN P.C.B ϕ 2.2mm
P.C.B THICKNESS 1.6mm

NOTE: All measurement does not include gate which raises under 0.3mm.

 <p>康揚企業股份有限公司 KANG YANG HARDWARE ENTERPRISE CO., LTD. 康揚塑膠(東莞)有限公司 KANG YANG PLASTIC(DONG GUAN) CO., LTD. 康哲電腦配件(吳江)有限公司 KANG CHE COMPUTER COMPONENTS(WUJIANG) CO., LTD.</p>		TITLE	CARD GUIDE	SPEC. DWG	
		MATERIAL	NYLON 66 UL94V-2	DATE	2013.12.11
		FINISH		DRAWN	Luke
		COLOR	BALCK	CHECK	
PART NUMBER	ULCG-2(B)	DRAWING NUMBER	ULCG-2	UNLESS OTHERWISE SPECIFIED TOLERANCE	SEE ABOVE
SIZE	A4	SCALE	5:1	UNIT	mm
		REV	A	APPROVED	