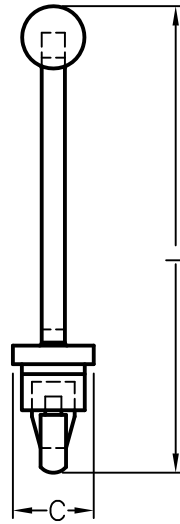
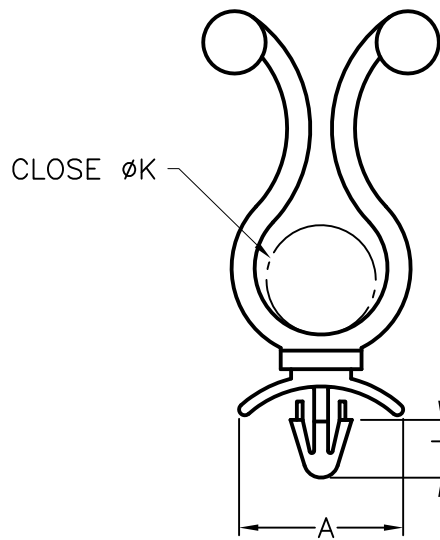


HOLE :  $\phi G$   
THICKNESS: T



PART NO.	A	C	J	K	L	G	T
THI-4	14.2	7	5	10	40.4	4	0.8~2

NOTE: A, D