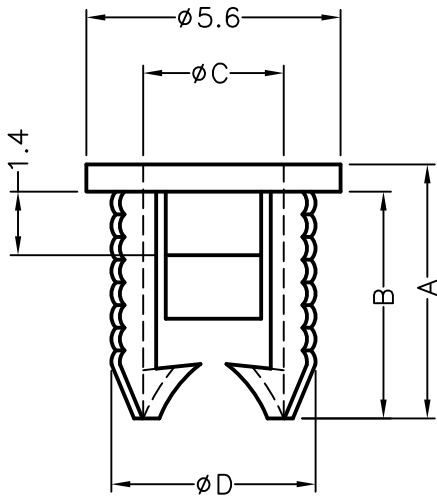


MOUNTING HOLE $\phi 4.5$
 CHASSIS THICKNESS 0.8~1.2



PART.NO	A	B	C	D
LED3-1	5.6	5.0	$\phi 3.1$	4.4
LED3-8	4.6	4.0		4.5

ϕD 與裝配無關