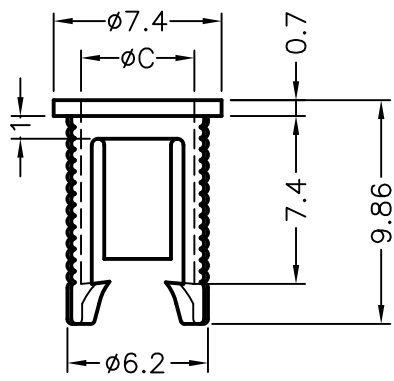


CHASSIS $\phi 6.35$



$C = \phi 5$