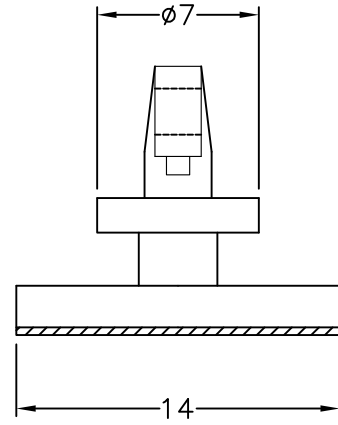
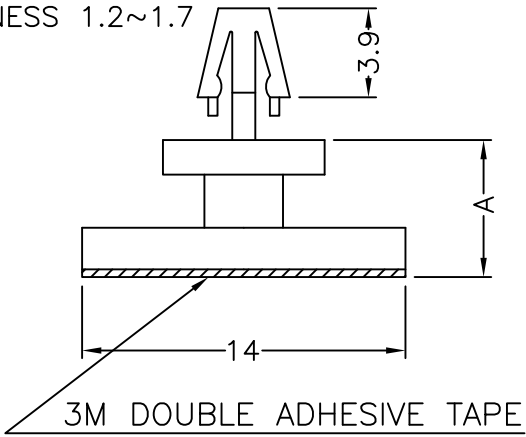


P.C.B $\phi 3.0$
THICKNESS 1.2~1.7



PART NO.	A
BSS-6	6.4
BSS-9	8.8
BSS-12	12.7

NOTE:B