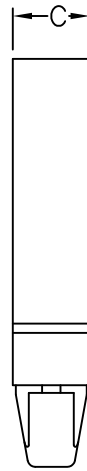
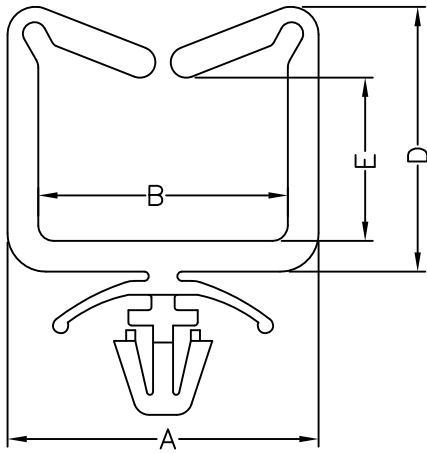


HOLE : ϕG
THICKNESS: T



PART NO.	A	B	C	D	E	G	T
CHR-11	20.2	16.2	5	17.2	10.6	4.8	1.0~2.5

NOTE:A, D