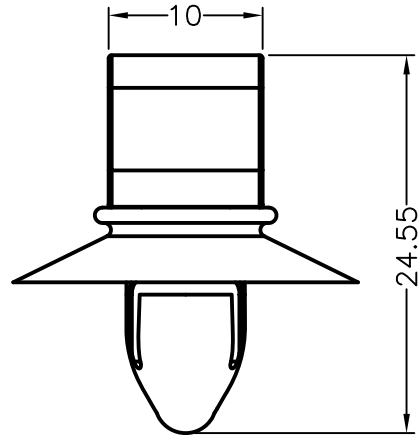
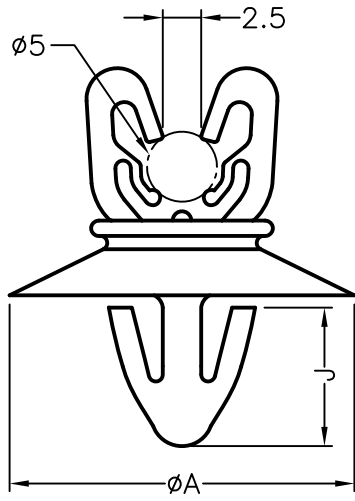


HOLE :  $\phi G$   
THICKNESS: T



PART NO.	A	J	G	T
CHUK-1	22.4	9	8.0	1.2

NOTE: A, D