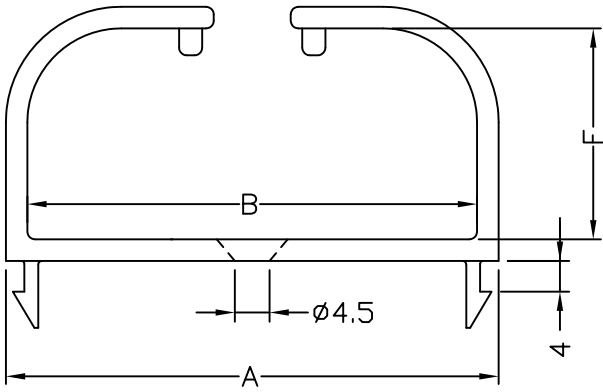


HOLE : G



PART NO.	A	B	C	F
CHV-59	64	58.4	15	27.4

NOTE: A, D