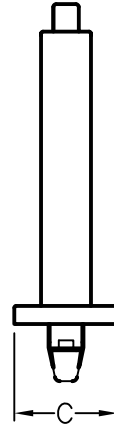
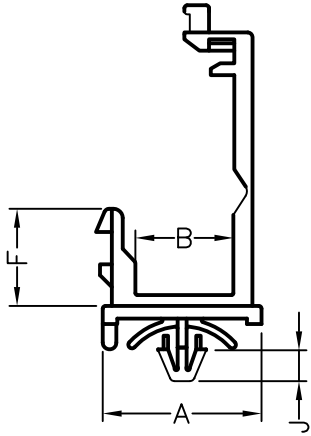


MOUNTING HOLE
THICKNESS: T



PART NO.	A	B	C	F	J	T
CHWE-1	17.5	10.8	11.4	10.7	3.5	0.8~1.0

NOTE: A, D