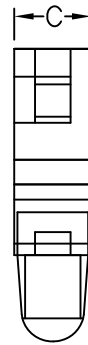
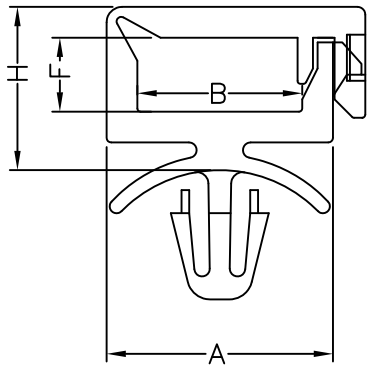


HOLE : ϕ G
THICKNESS: T



PART NO.	A	B	C	F	H	G	T
CHWS-4.8	14.7	10.7	5	4.8	10.6	4.8	1.7

NOTE:A, D