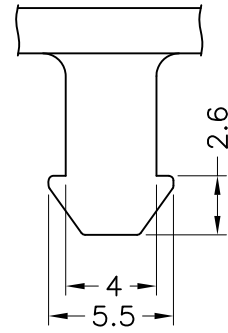
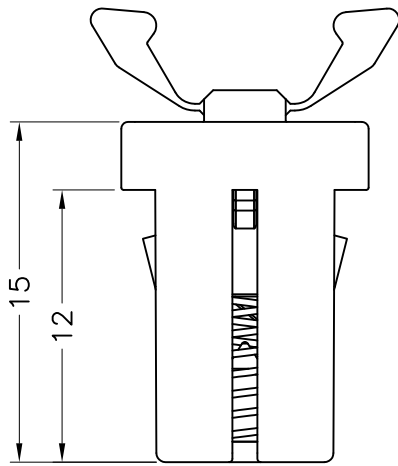


MOUNTING HOLE
THICKNESS 2.0



PIN

NOTE:N