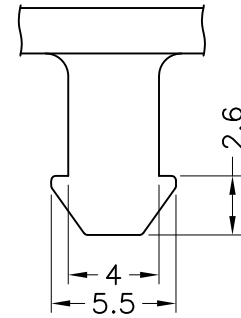
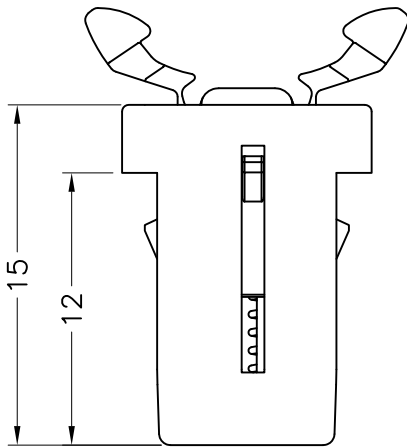


MOUNTING HOLE
THICKNESS:2.0



PIN

NOTE:N