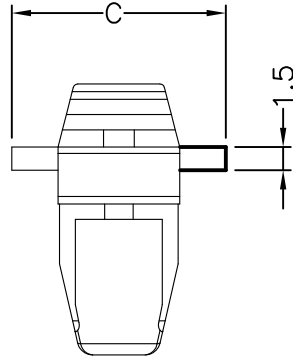
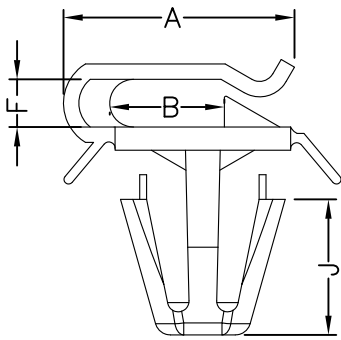


HOLE : ϕG
THICKNESS: T



PART NO.	A	B	C	F	J	G	T
FCCA-1	15	7.45	13.9	3.1	8.8	8	1~2.8

NOTE: A, D