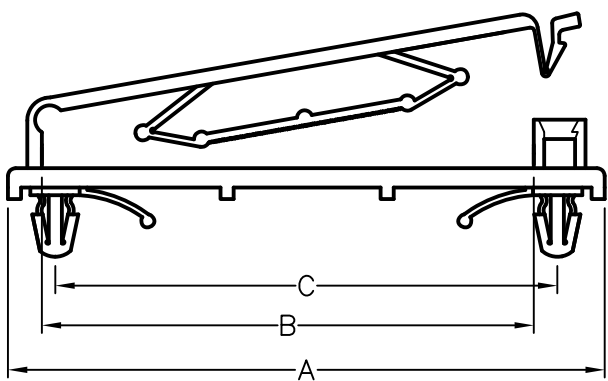


HOLE : ϕG
 THICKNESS: T
 SUITABLE CABLE: E



PART NO	A	B	C	D	E	G	T
FCD-1	78	64	65	19.7	50	4.8	0.8~2.2

NOTE: A, D