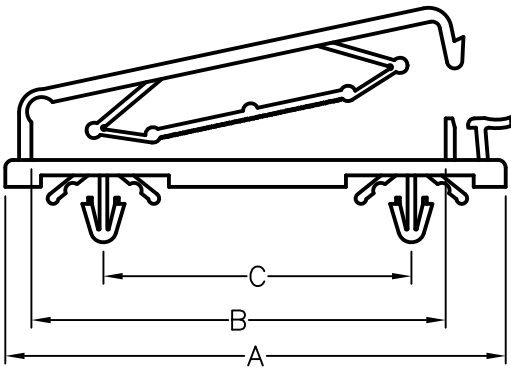




HOLE : $\phi$ G  
 THICKNESS: T  
 SUITABLE CABLE: E



PART NO	A	B	C	D	G	T	E
FCD-35	55		35		4	0.8~2.2	35
FCD-40	65		40				40
FCD-50	77		49.7				50

NOTE:A, D