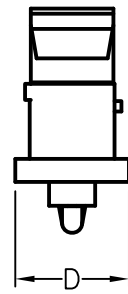
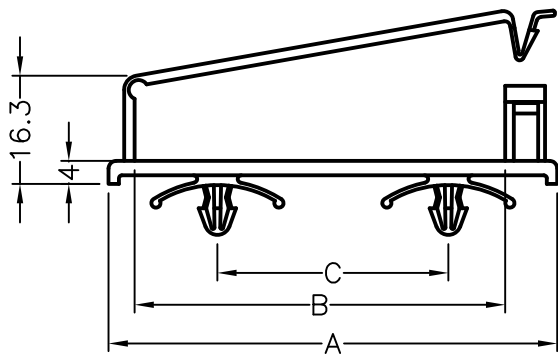


HOLE : ϕ G
THICKNESS: T



PART NO	A	B	C	D	G	T
FCT-5	77.7	64.2	40	19.7	4.8	0.8~3.2

NOTE: A, D