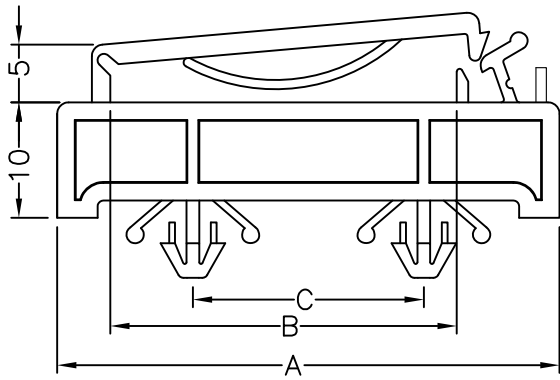


HOLE : ϕG
 THICKNESS: T



PART NO	A	B	C	D	G	T
FDT-3	43.5	30	20	10	4	0.8~2

NOTE: A, D